

225 DOUBLE TOILET TISSUE PAPER HOLDER

Clean Easy Installation

sales@preferredbathinc.com

www.preferredbathinc.com

(336) 904-6248



SOLID STAINLESS STEEL CONSTRUCTION

- 304 Stainless Steel
- Precision Cut

ALL HARDWARE INCLUDED

- Double Toilet Tissue Paper Holder - 1
- Toilet Tissue Paper Rollers - 2
- All Stainless Steel Mounting Hardware and Wall Anchors Included

PART NUMBERS

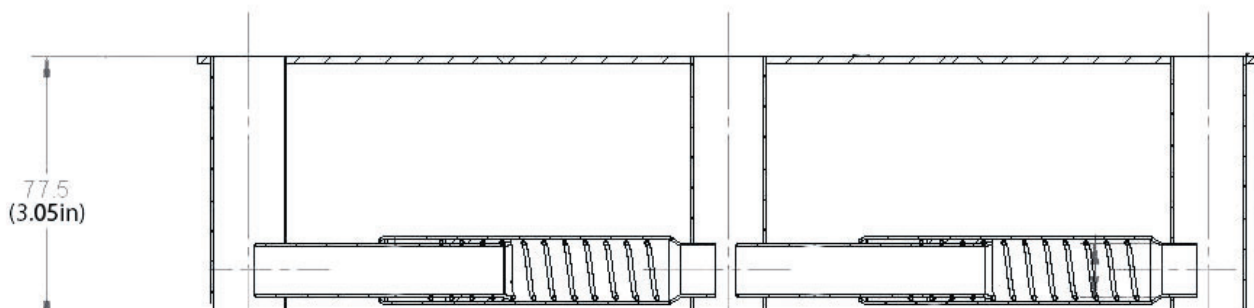
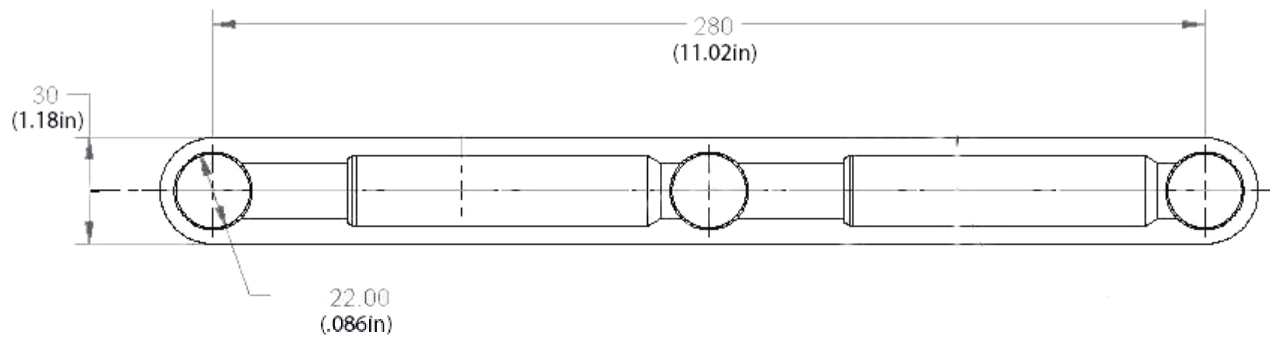
FINISH

225-BP

Polished Chrome

225-SS

Satin Stainless



INSTALLATION:

Attach double toilet paper holder to wall with provided mounting hardware. Install tissue paper rollers.



WOOD BLOCKING PREFERRED

Limited Warranty: Preferred Bath Accessories Inc. warrants to the purchaser that the product will be free from defects in material and workmanship. If the product does not comply with this warranty, Preferred Bath Accessories Inc. will repair or replace the product or, at Preferred Bath Accessories Inc.'s option, refund the purchase price. The limited warranty period is for the lifetime of the product. Limitations on the Warranty: The warranty does not cover, normal wear and tear, product abuse, neglect, improper installation or maintenance. Purchaser Requirements: If this product does not meet Preferred Bath Accessories Inc.'s warranty, return the product (postage prepaid) to the place of purchase with proof of purchase and a written claim briefly describing the defect. You may be required to provide other information or evidence of the defect.