

3000 MANOR COLLECTION CUSTOM PANEL FOR SHOWER

Beautifully Functional

sales@preferredbathinc.com

www.preferredbathinc.com

(336) 904-6248



MIRROR POLISHED STAINLESS STEEL

- Mirror Polished 304 Stainless Steel
- Precision Laser Cut
- Structurally Engineered To Be Light Weight And Strong

PART NUMBERS

FINISH

3040-CPRL-S

PC

3040-CPRL-T

PC

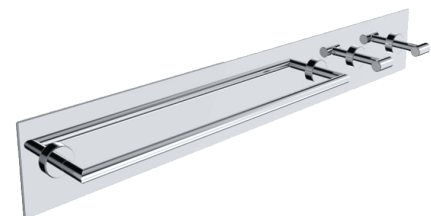
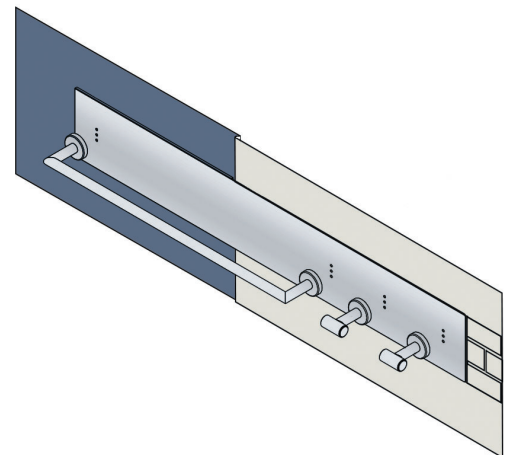
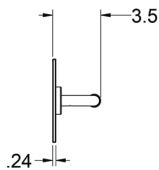
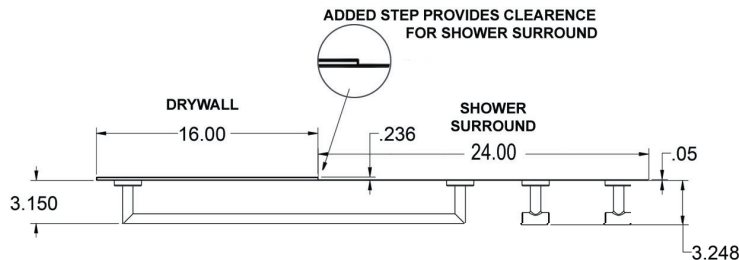
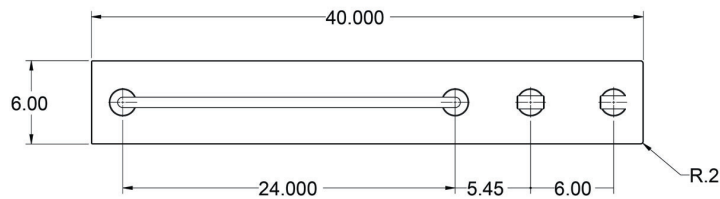
ALL PARTS INCLUDED WITH CUSTOM PANEL

- 2024-PC-MV Towel Bar - 1
- 3000-PC Robe Hook - 2
- Mounting Hardware

TWO VERSIONS AVAILABLE

- 3040-CPRL-S - Used In Shower Room - Cutting Of Shower Surround Not Required As Thickness Of Panel Has Been Modified To Overlay Wall Surround Material
- 3040-CPRL-T - Used In Tub Room

ROTATE-ABLE FOR LEFT OR RIGHT INSTALLATION



NOTES:

Owner/GC are to validate the qty of rooms utilizing this type of panel that does not require a cutout in the wall surround, as not all room types have a panel spanning two different wall finishes.

INSTALLATION:

Mount custom panel to the wall and shower surround with mounting screws, then attach all accessories.

16" will be mounted to the wall 24" will lay on top of the surround. **Cutting of the surround is not required.**

WOOD BLOCKING PREFERRED

Preferred Bath Accessories Inc. warrants to the purchaser that the product will be free from defects in material and workmanship. If the product does not comply with this warranty, Preferred Bath Accessories Inc. will repair or replace the product or, at Preferred Bath Accessories Inc.'s option, refund the purchase price. The limited warranty period is for the lifetime of the product. Limitations on the Warranty: The warranty does not cover, normal wear and tear, product abuse, neglect, improper installation or maintenance. Purchaser Requirements: If this product does not meet Preferred Bath Accessories Inc.'s warranty, return the product (postage prepaid) to the place of purchase with proof of purchase and a written claim briefly describing the defect. You may be required to provide other information or evidence of the defect.

Limited Warranty:

