

2000 ANELLO COLLECTION TOWEL BARS

Modern Transitional

sales@preferredbathinc.com

www.preferredbathinc.com

(336) 904-6248



304 STAINLESS STEEL

- 304 Stainless Steel Bar
- Superior Strong Mounting System
- Four Screws Included For a Strong Secure Installation

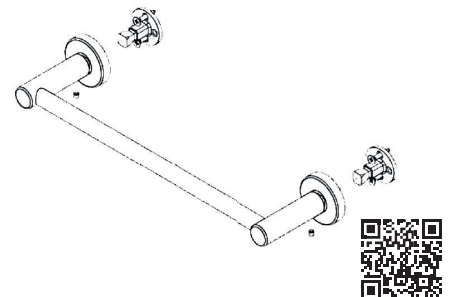
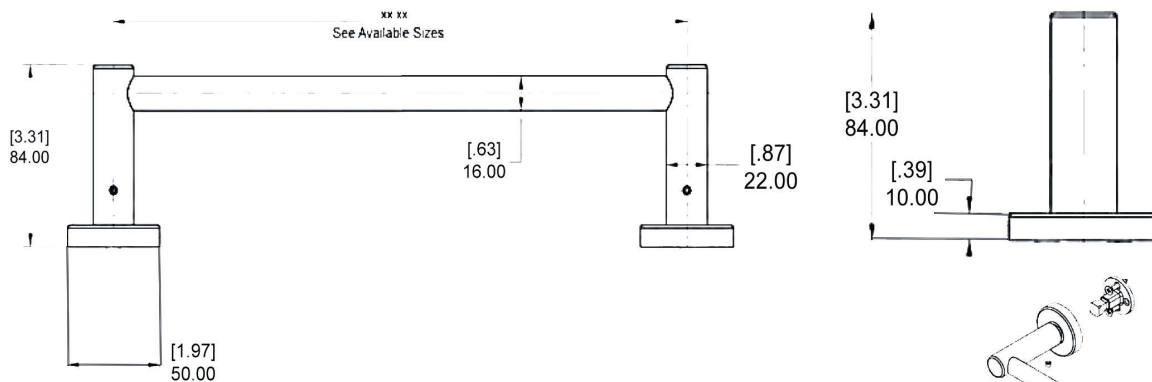
HARDWARE INCLUDED

- Stainless Steel Towel Bar - 1
- Wall Mounting Brackets - 2
- Posts and Flanges - 2
- All Stainless Steel Mounting Hardware and Wall Anchors Included

WALL MOUNTED VERSIONS

- Towel Bar Size Is Determined By The Center Post To Center Post Dimension

PART NUMBERS	FINISH
2012-PC	Polished Chrome
2012-BN	Brushed Nickel
2012-ORB	Oil Rubbed Bronze
2018-PC	Polished Chrome
2018-BN	Brushed Nickel
2018-ORB	Oil Rubbed Bronze
2024-PC	Polished Chrome
2024-BN	Brushed Nickel
2024-ORB	Oil Rubbed Bronze



INSTALLATION:

Attach mounting bracket to wall with mounting screws. Slide flange and post over bracket and tighten set screw. Our mounting brackets are designed with horizontal and vertical adjustability for an easy installation.

Limited Warranty:

Preferred Bath Accessories Inc. warrants to the purchaser that the product will be free from defects in material and workmanship. If the product does not comply with this warranty, Preferred Bath Accessories Inc. will repair or replace the product or, at Preferred Bath Accessories Inc.'s option, refund the purchase price. The limited warranty period is for the lifetime of the product. Limitations on the Warranty: The warranty does not cover, normal wear and tear, product abuse, neglect, improper installation or maintenance. Purchaser Requirements: If this product does not meet Preferred Bath Accessories Inc.'s warranty, return the product (postage prepaid) to the place of purchase with proof of purchase and a written claim briefly describing the defect. You may be required to provide other information or evidence of the defect.