

# 1000 PRIMO COLLECTION DOUBLE ROBE HOOKS

**STRAIGHT CLEAN LINES**

sales@preferredbathinc.com

www.preferredbathinc.com

(336) 904-6248



## STRONG MODERN CONSTRUCTION

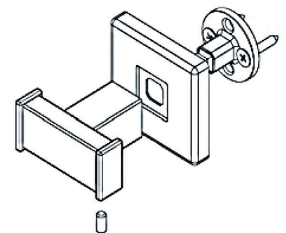
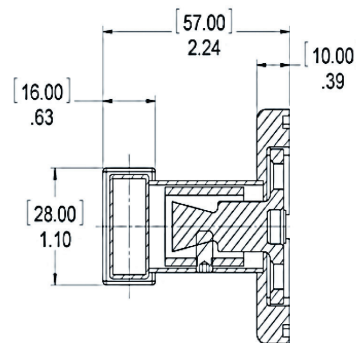
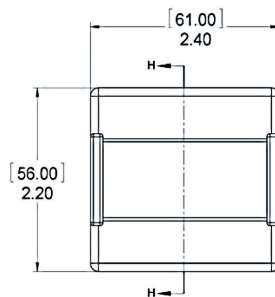
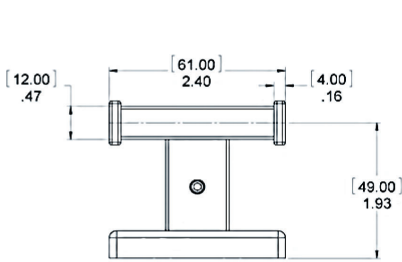
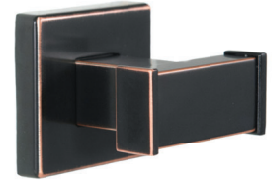
- SUPERIOR AND STRONG MOUNTING SYSTEM
- TWO SCREWS USED TO PREVENT ROTATION

## HARDWARE INCLUDED

- 304 STAINLESS STEEL POST - 1
- ZINC DIE-CAST COVER FLANGE - 1
- ZINC DIE-CAST CAPS - 2 - 1
- STAINLESS STEEL MOUNTING HARDWARE AND WALL ANCHORS INCLUDED

PART NUMBERS	FINISH
1000-PC-DH	POLISHED CHROME
1000-BN-DH	BRUSHED NICKEL
1000-ORB-DH	OIL RUBBED BRONZE

## WALL MOUNTED



## INSTALLATION:

Attach mounting bracket to wall with mounting screws. Slide flange and post over bracket and tighten set screw. Our mounting brackets are designed with horizontal and vertical adjustability for an easy installation.

## WOOD BLOCKING IS THE PREFERRED METHOD OF INSTALLATION



Limited Warranty:

Preferred Bath Accessories Inc. warrants to the purchaser that the product will be free from defects in material and workmanship. If the product does not comply with this warranty, Preferred Bath Accessories Inc. will repair or replace the product or, at Preferred Bath Accessories Inc's. option, refund the purchase price. The limited warranty period is for the lifetime of the product. Limitations on the Warranty: The warranty does not cover, normal wear and tear, product abuse, neglect, improper installation or maintenance. Purchaser Requirements: If this product does not meet Preferred Bath Accessories Inc's. warranty, return the product (postage prepaid) to the place of purchase with proof of purchase and a written claim briefly describing the defect. You may be required to provide other information or evidence of the defect.