

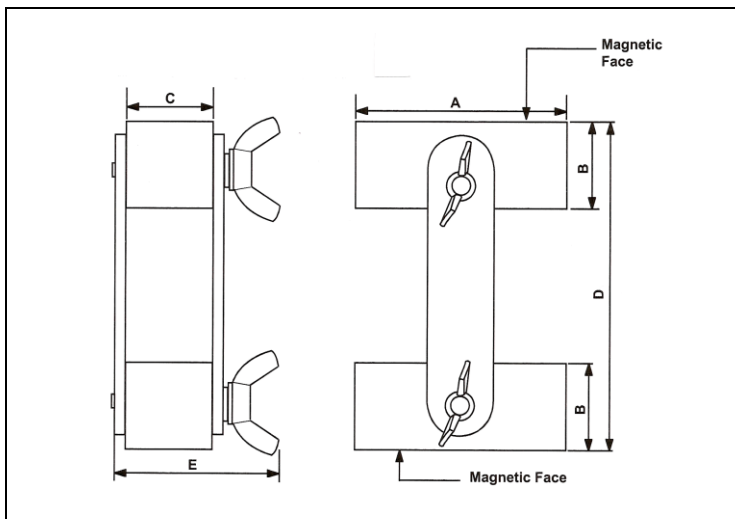
Magnetic Adjustable Links



Magnetic Adjustable Links
 Used for clamping light steel sheet together at the required angle
 Can be used as individuals or in multiples as the basis of jigs
 Ideal for welding and general assembly positioning
 Adjust to any angle

Packed Weight and Dimensions

Code	Description	Weight g	W mm	H mm	L mm
52-585-050	Magnetic Adjustable Links	703	65	45	130



Code	A	B	C	D	E
52-585-050	60mm	25mm	26mm	94mm	55mm