
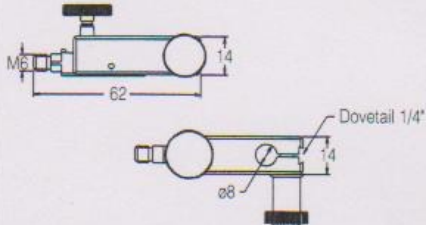

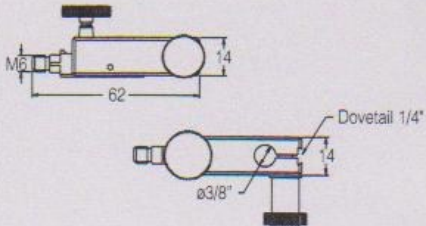

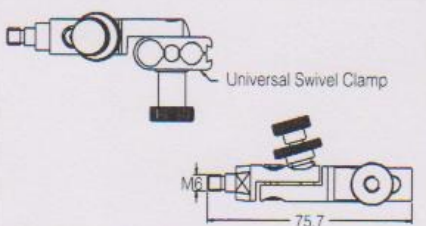

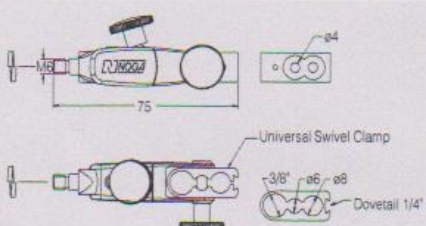

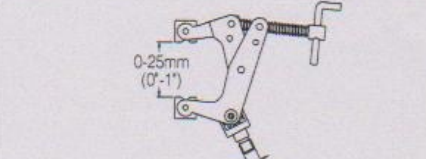

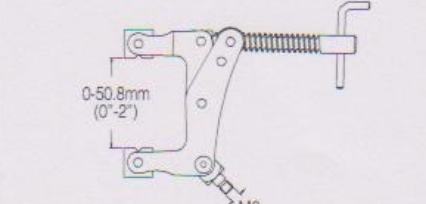


**Top attachments for dial & test indicators**

<p><b>FA1300</b></p>	<p>M6</p>	<p>PLASTIC F.A. 8mm</p>		
<p><b>FA1301</b></p>	<p>M6</p>	<p>PLASTIC F.A. 3/8"</p>		
<p><b>FA1400</b></p>	<p>M6</p>	<p>2SM Metal F.A. 6mm, 8mm, 3/8"</p>		
<p><b>FA1500</b></p>	<p>M6</p>	<p>Metal F.A. 6mm, 8mm, 3/8"</p>		

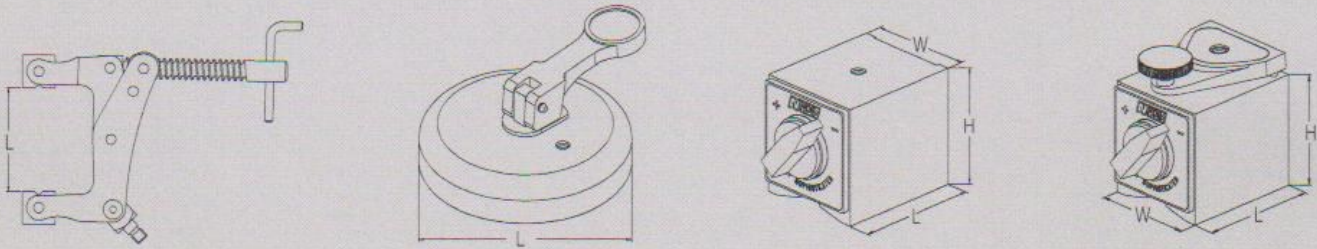
**Clamps for top attachment**

<p><b>NF0125</b></p>	<p>M6 EXT.</p>	<p>CLAMP 1"</p>		
<p><b>DG0125</b></p>	<p>M6 EXT.</p>	<p>CLAMP 2"</p>		



**NOGA  
bases**


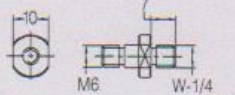

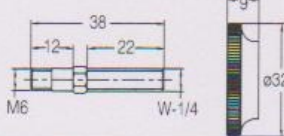

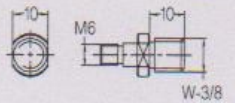

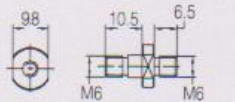

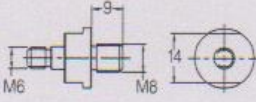

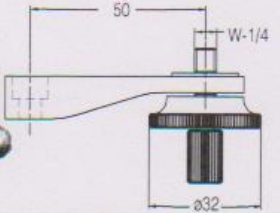
Eight different magnets ranging from the world's smallest switchable on/off (320N) to a large magnetic base (1300N), a 350N vacuum base and 5 clamps are offered for our customers' choice.




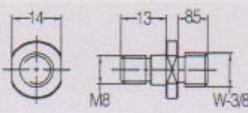

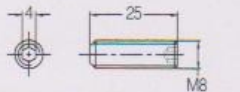
All measurements are in mm unless otherwise mentioned.

Order no.	Type	Weight [Kg]	Force [N]	Thread	W	L	H
NF0037	On/off magnet	0.230	320	M5	30	40	35
NF3778	On/off magnet with fine adj.	0.250	320	M5	30	40	35
DG0036	On/off magnet	1.000	800	M8	50	60	55
DG3678	On/off magnet with fine adj.	1.100	800	M8	50	60	55
DG0038	On/off magnet	1.270	1000	M8	50	75	55
DG0118	On/off magnet with fine adj.	1.380	1000	M8	50	75	55
DG0039	On/off magnet	2.000	1300	M10 x 1.25	50	120	55
DG1003	On/off magnet multi thread	1.350	1000	M6/8/10/12 10 x 1.25	50	75	55
DG0040	Vacuum base	0.400	350	M8	-	ø 92	-
MA0322	4" clamp	1.150	-	Ext. M10 x 1.25	-	100	-
MA0320	4" clamp	1.160	-	Int. M10 x 1.25	-	100	-
MG1006	3" clamp	0.570	-	Ext. M8	-	75	-
MG1003	3" clamp	0.600	-	Int. M8	-	75	-
MG0125	3" clamp with plastic cover	0.600	-	Int. M8	-	75	-


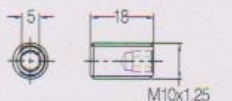

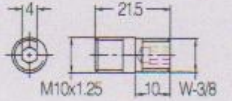

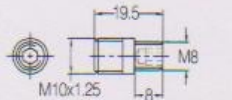
### M6 Accessories

AD6010		
AD6013		
AD6030		
AD6060		
AD6080		
MA0125		

### M8 Accessories


AD8030		
AD8080		

### M10 x 1.25 Accessories




AD1000		
AD1030		
AD1080		

### 3 Points Clamp

	Dia. Post	Dia. Arm	
PH0315	10	8	For Holder PH3100
PH0310	14	12	For Holders: PH2040 PH6400 PH6410
PH0312	16	16	For Holders: PH4016, PH6400, PH6410
PH0313	18	16	For Holders: PH6800, PH6810



### Knobs

DG0160	Knob for NF&DG Holders	
MG1620	Knob for MG Holders	
MA0100	Knob for MA Holders	

### Screws

DG0061	M2.5x10	Replacement screw for FA1500.	
NF0049	M2.5x10	Replacement screw for NF10403 & NF10433.	
DG0094	M2.5x10	Replacement screw for DG10503, DG10533, MG10503 & MG10533.	

Product: Noga Holding: Accessories

Page 5 of 5

Packed Weights and Dimensions:

Code	Description	Weight g	W mm	H mm	L mm
NF 0037	On/Off Magnet	223	40	50	70
<b>DG 3678</b>	On/Off Magnet with Fine Adjustment Plate	1080	56	75	104
MB-C	On/Off Magnet	1000	55	60	85
DG 0038	On/Off Magnet	1240	55	75	105
DG 0039	On/Off Magnet	1922	55	62	150
<b>DG 1003</b>	On/Off Magnet	1350	56	75	104
DG 0040	Vacuum Base	389	70	140	170
FA 1300	Plastic Fine Adjustment Clamp	64	35	62	95
FA 1400	Fine Adjustment Clamp	28	90	20	110
FA 1500	Universal Swivel Clamp with Fine Adjustment	75	90	40	110
NF 0125	1" Clamp	77	35	62	95
DG 0125	2" Clamp	326	52	155	35
MG 1003	3" Clamp	578	140	68	175
MA 0320	4" Clamp	1160	170	70	245
AD 6031	3/8" x M6 Adaptor	16	20	35	70
AD 6010	1/4" x M6 Adaptor	12	20	35	70
<b>AD 6013</b>	1/4" x M6 Camera Adaptor with Locking Ring	26	36	22	72
AD 6081	M6 x M8 Adaptor	11	20	35	70

