



PH6600

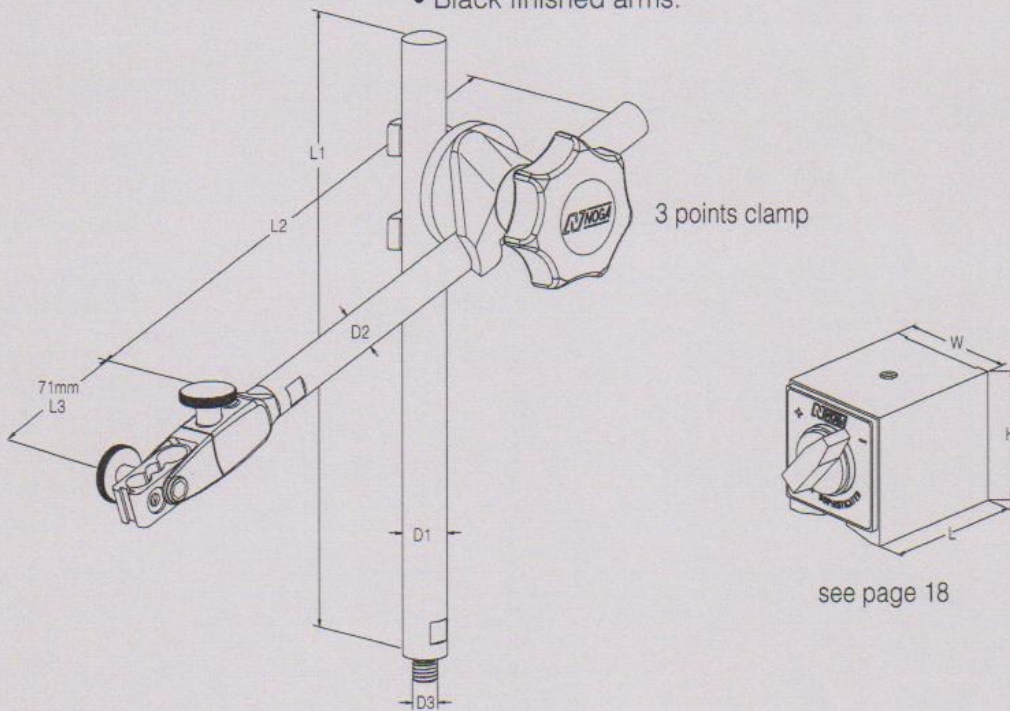
PH6800

PH6400

**NOGA  
economical holders  
with fine adjustment  
on top**

NOGA PH (Post Holder) holders are the latest improvement of the traditional indicator holder.

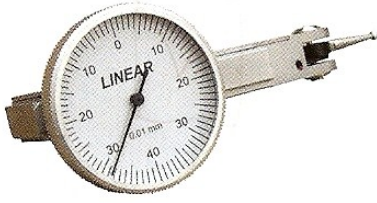
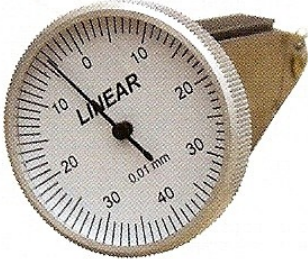
- New fine adjustment on the top with universal swivel clamp.
- Holds 6mm, 8mm, 3/8", dovetail and back lug.
- Powerful on/off magnetic base.
- Strong arm lock by using 3 points clamp.
- Easy to set up gauges into required position.
- Black finished arms.



All measurements are in mm unless otherwise mentioned.

Order no.	Holder		Arm length and diameter		Force [N]	Magnet			3 points clamp Order no.
	Bottom thread	Weight [Kg]	Post Dia. (D1) x length (L1)	Arm Dia. (D2) x length (L2)		Dimension			
	D3					W	L	H	
PH6400	M8	1.700	ø14 x 203	ø12 x 185	800	50	60	55	PH0310
PH6410	M8	0.700	ø14 x 203	ø12 x 185	-	-	-	-	PH0310
PH6600	M8	2.300	ø16 x 260	ø16 x 225	1000	50	75	55	PH0312
PH6610	M8	1.070	ø16 x 260	ø16 x 225	-	-	-	-	PH0312
PH6800	M10 x 1.25	3.450	ø18 x 350	ø16 x 225	1300	50	120	55	PH0313
PH6810	M10 x 1.25	1.450	ø18 x 350	ø16 x 225	-	-	-	-	PH0313

Code	Weight g	W mm	H mm	L mm
PH 6400	1691	90	65	285
PH 6600	2403	100	65	375
PH 6800	3500	100	65	375

 <p>Horizontal Style</p>	 <p>Vertical Style</p>	<p>General Specifications:</p> <p>Fully jeweled movements Adjustable bezel Satin chrome body with dovetail on 3 sides Supplied with 6 &amp; 8mm Spigots Replacement Spigot Codes 6mm = 55-100-060, 8mm = 55-100-080</p>
--	---	---

Range Details Metric:

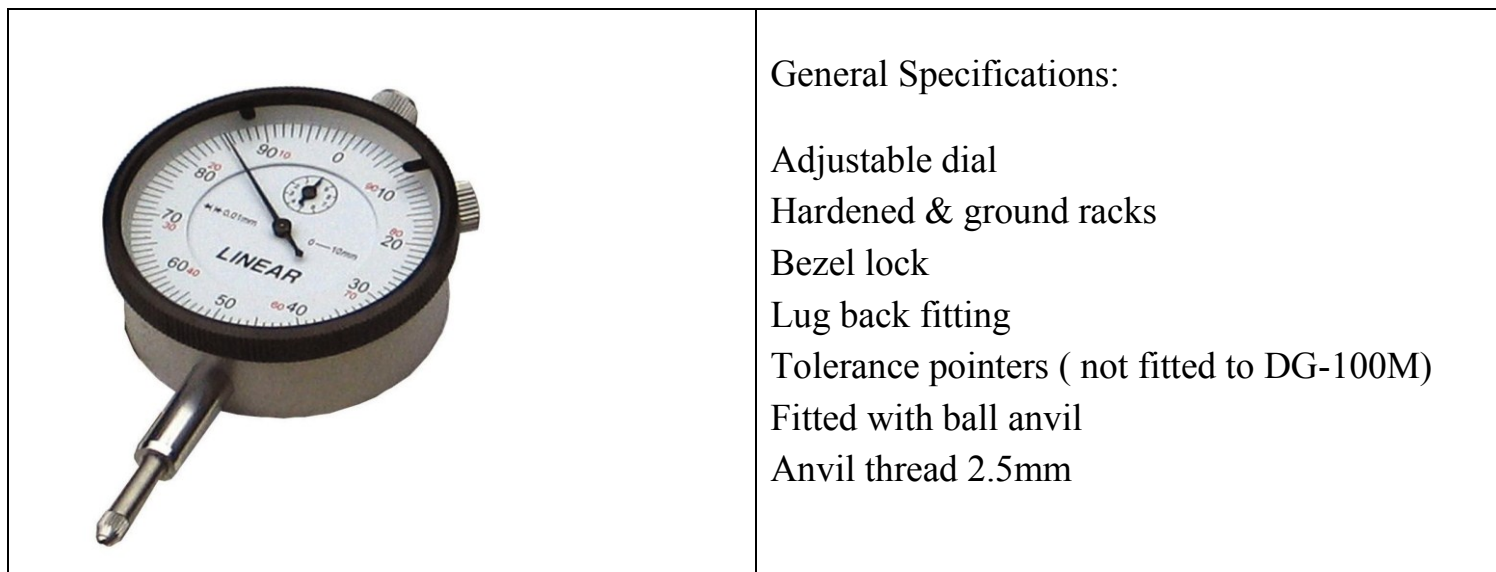
Code	Dial Dia	Grads.	Range	Single Rev.	Scale Reading	Grads. Per Rev	Indicator Style	Replacement Stylii
	mm	mm	mm	mm	mm			
55-100-010	32	0.01	0.8	0.8	0-40-0	80	Horizontal	55-100-030
55-105-010	40	0.01	0.8	0.8	0-40-0	80	Horizontal	55-100-030
55-200-010	40	0.002	0.2	0.2	0-100-0	100	Horizontal	55-199-050
55-150-010	32	0-01	0.8	0.8	0-40-0	80	Vertical	55-100-030
55-100-200	40	0.01mm 0.0005in	0.06mm 0.03in	0.06mm 0.03in	0-30-0 0-15-0	60 60	Horizontal	55-100-020

Range Details Inch:

Code	Dial Dia	Grads.	Range	Single Rev.	Scale Reading	Grads. Per Rev	Indicator Style	Replacement Stylii
		inch	inch	inch	inch			
55-100-005	32	0.0005	0.03	0.03	0-15-0	60	Horizontal	55-100-020
55-105-005	40	0.0005	0.03	0.03	0-15-0	60	Horizontal	55-100-020
55-200-005	40	0.0001	0.008	0.008	0-40-0	80	Horizontal	55-199-040
55-150-005	32	0.0005	0.03	0.03	0-15-0	60	Vertical	55-100-020

Accuracy Specifications:

Dial Graduations	Any One Division	Any Five Divisions	Any Half Revolution
Metric			
0.01	0.002	0.005	0.01
0.002	0.0005	0.001	0.002
Inch			
0.0005	0.0001	0.0002	0.0004
0.0001	0.00003	0.0005	0.0001



## General Specifications:

Adjustable dial

Hardened &amp; ground racks

Bezel lock

Lug back fitting

Tolerance pointers ( not fitted to DG-100M)

Fitted with ball anvil

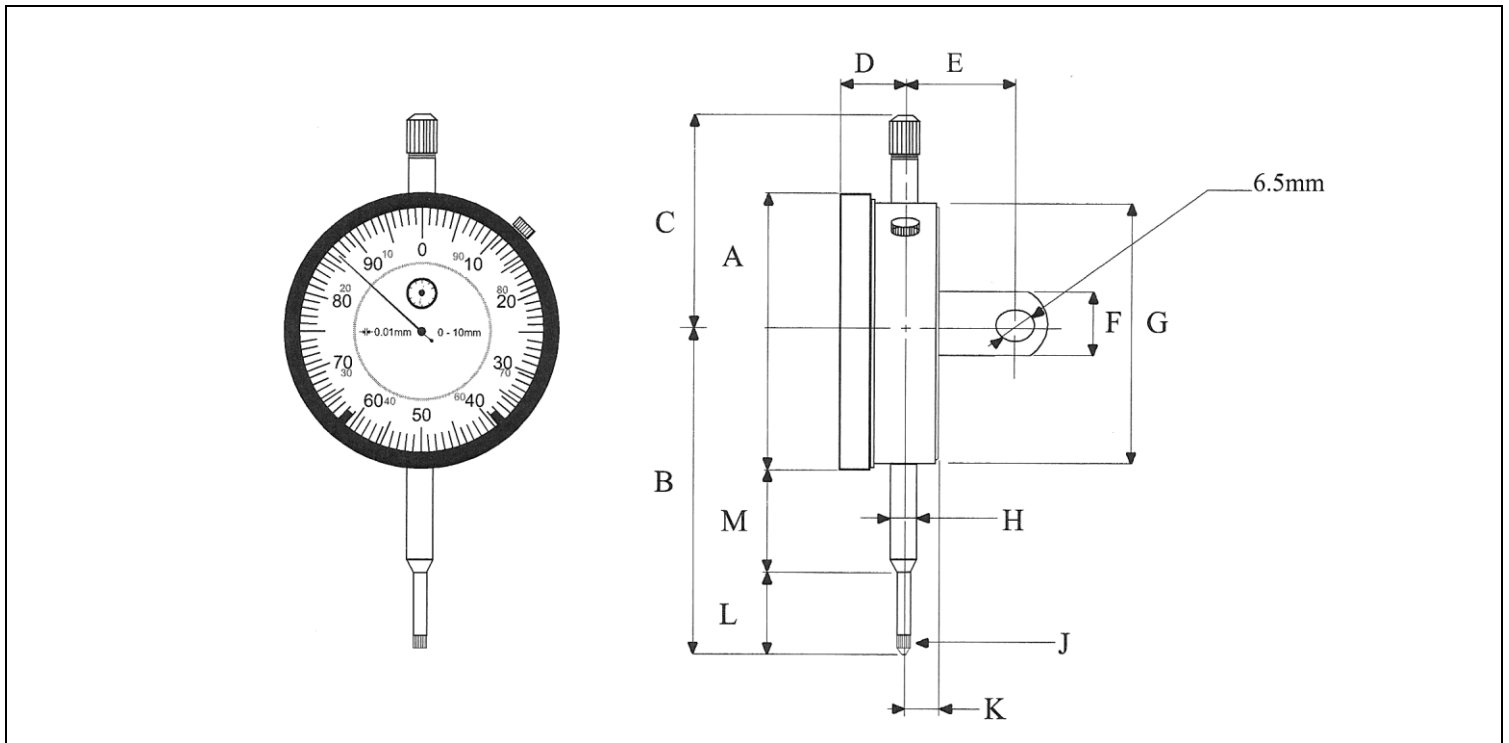
Anvil thread 2.5mm

## Range Details Metric:

Code	Dial Dia./ mm	Travel / mm	Grads. / mm	Reading	Dial Colour
DG-1MM	40	1.0	0.001	0-100 c/w	White
DG-5M	40	5.0	0.01	0-100 c/w, 0-100 a/c	White
DG-M	60	10.0	0.01	0-100 c/w, 0-100 a/c	White
DG-MB	60	10.0	0.01	0-100 c/w, 0-100 a/c	Black
DG-MSP	60	10.0	0.01	0-100 c/w, 0-100 a/c	White
DG-25M	60	25.0	0.01	0-100 c/w, 0-100 a/c	White
DG-25MB	60	25.0	0.01	0-100 c/w, 0-100 a/c	Black
DG-50M	76	50.0	0.01	0-100 c/w, 0-100 a/c	White
DG-100M	80	100.0	0.01		White

## Range Details Inch:

Code	Dial Dia inch	Travel. inch	Grads. inch	Reading	Dial Colour
DG-1/4	1.58	0.25	0.001	0-100 c/w	White
DG-1/2S	2.35	0.50	0.001	0-100 c/w, 0-100 a/c	White
DG-1/2SB	2.35	0.50	0.001	0-100 c/w, 0-100 a/c	Black
DG-1S	2.35	1.00	0.001	0-100 c/w, 0-100 a/c	White
DG-1SB	2.35	1.00	0.001	0-100 c/w, 0-100 a/c	Black
DG-2S	3.0	2.00	0.001	0-100 c/w, 0-100 a/c	White



Dimensions: Metric Models

Code	A	B	C	D	E	F	G	H	J	K	L	M
	mm	mm	mm	mm	mm	mm	mm	mm	mm	mm	mm	mm
DG-1MM	40							8.0	M2.5	6.3		
DG-5M	40	46.0	30.0	12.8	17.7	17.8	36.0	8.0	M2.5	6.3	12.5	13.5
DG-M	60	69.0	45.0	16.0	19.3	17.8	54.7	8.0	M2.5	8.0	20.0	18.0
DG-MB	60	69.0	45.0	16.0	19.3	17.8	54.7	8.0	M2.5	8.0	20.0	18.0
DG-MSP	60	84.0	45.0	16.0	19.3	17.8	54.7	8.0	M2.5	8.0	20.0	18.0
DG-25M	60	84.0	40.0	16.0	19.3	17.8	54.7	8.0	M2.5	8.0	36.3	18.0
DG-25MB	60	84.0	40.0	16.0	19.3	17.8	54.7	8.0	M2.5	8.0	36.3	18.0
DG-50M	76	130.0	48.0	16.4	23.2	17.8	71.0	8.0	M2.5	8.0	59.0	33.0
DG-100M								8.0	M2.5			

Dimensions: Inch Models

Code	A	B	C	D	E	F	G	H	J	K	L	M
	inch	inch	inch	inch	inch	inch	inch	mm	mm	inch	inch	inch
DG-1/4	1.58	1.92	1.19	0.53	0.69	0.7	1.41	8.0	M2.5	0.25	0.60	0.51
DG-1/2S	2.35	3.02	1.54	0.63	0.77	0.7	2.16	8.0	M2.5	0.32	1.08	0.73
DG-1/2SB	2.35	3.02	1.54	0.63	0.77	0.7	2.16	8.0	M2.5	0.32	1.08	0.73
DG-1S	2.35	3.36	1.52	0.63	0.77	0.7	2.16	8.0	M2.5	0.32	1.42	0.73
DG-1SB	2.35	3.36	1.52	0.63	0.77	0.7	2.16	8.0	M2.5	0.32	1.42	0.73
DG-2S	3.0	5.45	4.37	0.61		0.7		8.0	M2.5	0.32	2.28	1.68

Product: Plunger Dial Indicators for PH Holders FAT

Page 6 of 6

Accuracy Specifications: Metric

Range mm	Grads. mm	Total Revs.	Each 0.1mm mm	Each 0.5mm mm	Each 1.0mm mm	Each 2mm mm	Total Travel mm
0-1	0.001	1					
0-5	0.01	5	0.005	0.008	0.01	0.015	0.016
0-10	0.01	10	0.005	0.008	0.01	0.015	0.020
0-25	0.01	25	0.005	0.008	0.01	0.015	0.030
0-50	0.01	50	0.01	0.015	0.02	0.025	0.045
0-100	0.01	100					

Accuracy Specifications: Inch

Range inch	Grads. inch	Total Revs.	Any 2 Revs. inch	First 10 Revs. inch	First 20 Revs. inch	Total Travel inch
1/4	0.001	2 1/2	0.001	N/A	N/A	0.0012
1/2	0.001	5	0.001	0.0015	N/A	0.0015
1	0.001	10	0.001	0.002	N/A	0.002
2	0.001	20	0.001	0.002	0.004	0.004