

The Protractor is supplied with 3 stainless steel blades, 145mm, 195mm and 300mm long plus an acute angle attachment

Vernier Scale:

Range: 360 degrees

Resolution: 5 minutes

Accuracy:  $\pm 5$  minutes

Protractor head includes:

1 x Blade locking screw

1 x Angle locking screw

Each protractor head is serialised

Packed Weight and Dimensions

Code	Description	Weight g	W mm	H mm	L mm
51-550-012	Universal Bevel Protractor	635	107	34	310

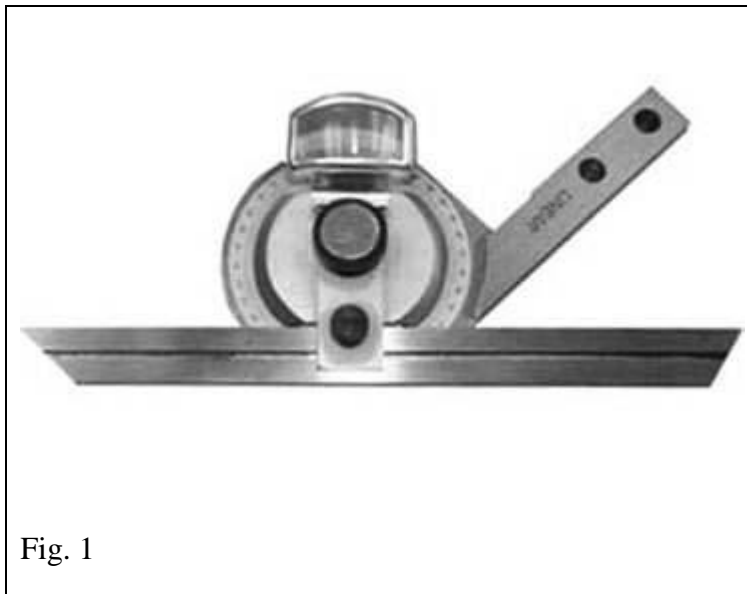


Fig. 1

Method:

Insert the required size blade and clamp in position  
 Unlock the central locking screw and rotate the blade to the required angular position  
 Lock the protractor

Example Protractor position shown left (Fig. 1)

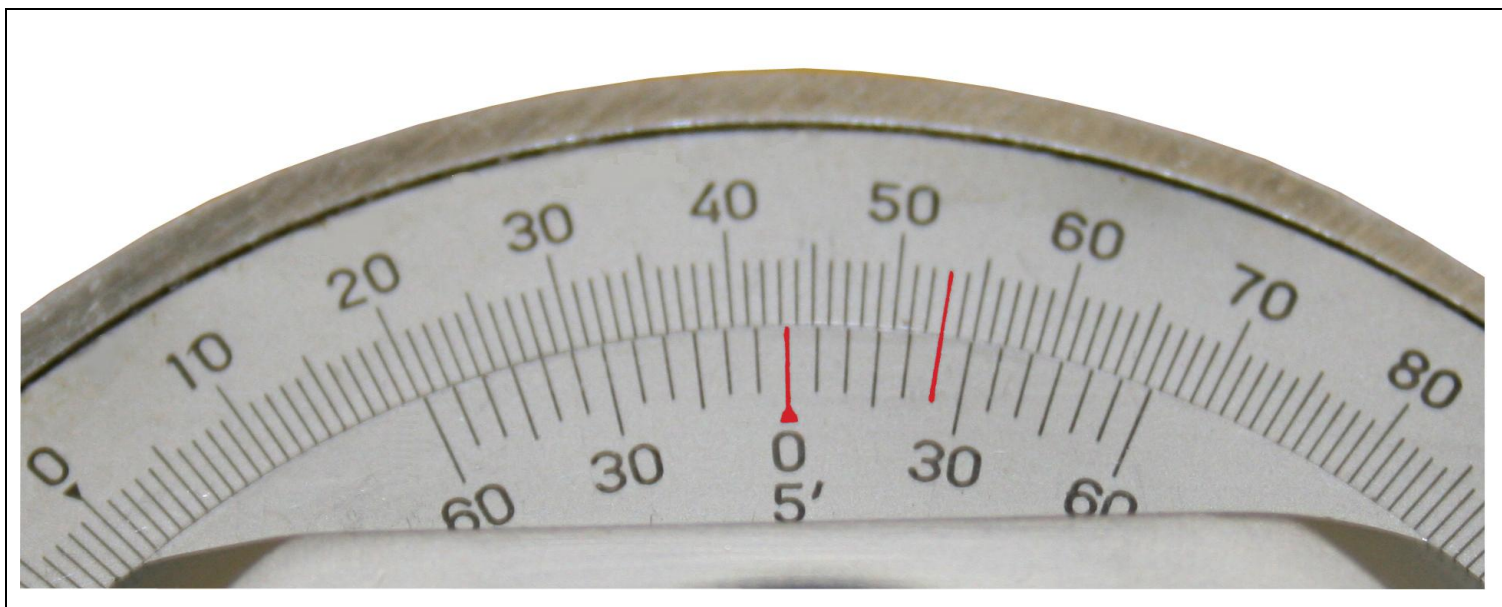
Example of Vernier Reading shown below

Zero line on fixed scale shows  $43^\circ + ?$


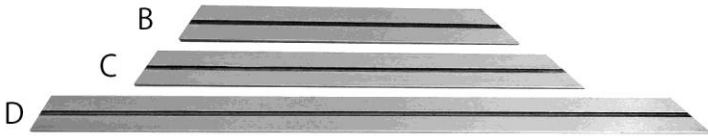
Fifth graduation line on fixed scale lines up with line on rotating scale

Angle =  $43^\circ + 5 \times 5$  minutes

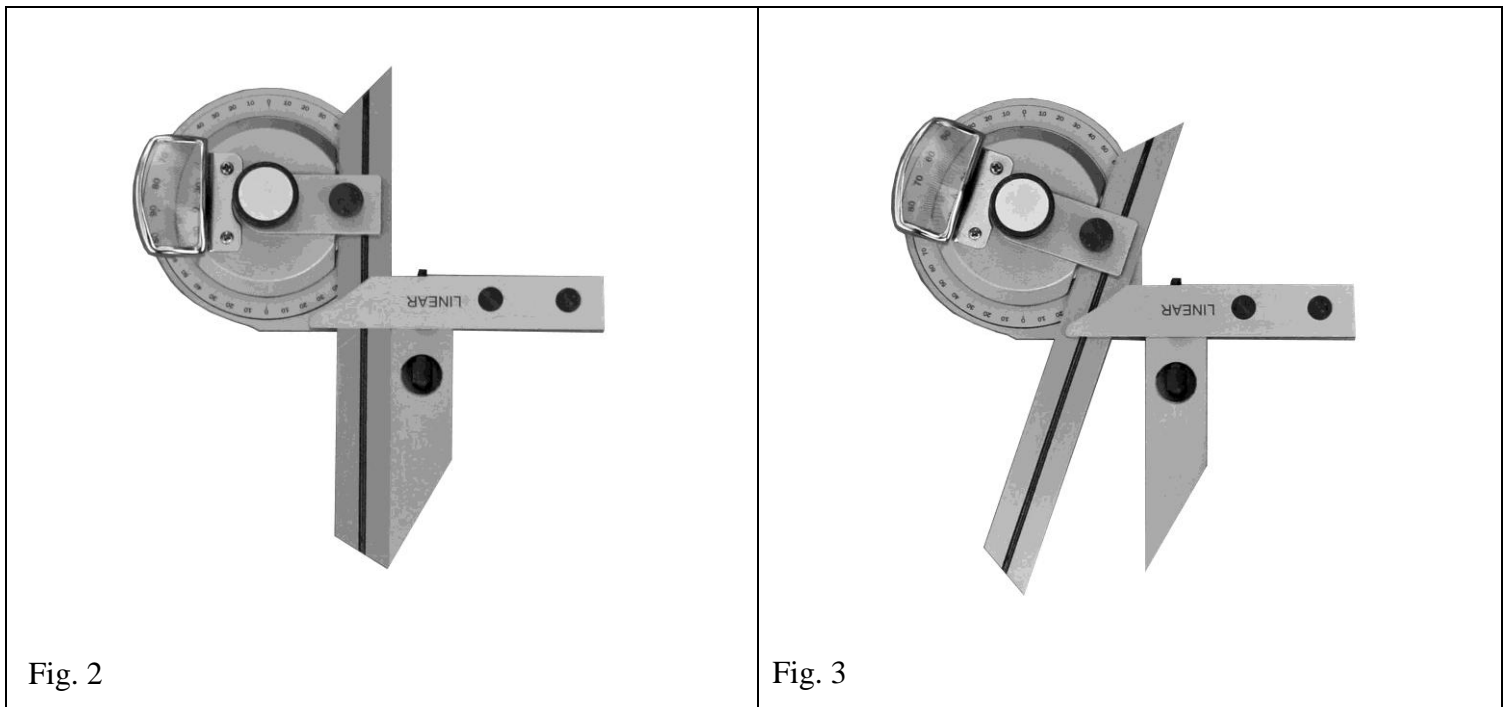
Total Angle Setting =  $43^\circ - 25'$



Accessories

 <p>A</p>	 <p>B C D</p>	<p>A: Acute Angle Attachment Length 70mm B: Blade 145mm long C: Blade 195mm long D: Blade 300mm long</p>
--	--	--

Acute Angle Measurement



Acute Angle Measurement

The setup shown in Fig. 1 will not allow measurement of acute angles below 15° due to the construction of the fixed arm.

Fit the Acute Angle Attachment as shown in Figs 1 & 2. This will now allow acute angle measurements to be taken between 0 - 60°

Setup Instructions

Position the blade as in Fig. 1 at precisely 90° on the Vernier scale and clamp in position

Insert the Acute Angle Attachment and position it against the blade so that the two faces contact along their length and clamp in position.

The instrument is now ready to measure angles between 0 to 60°