
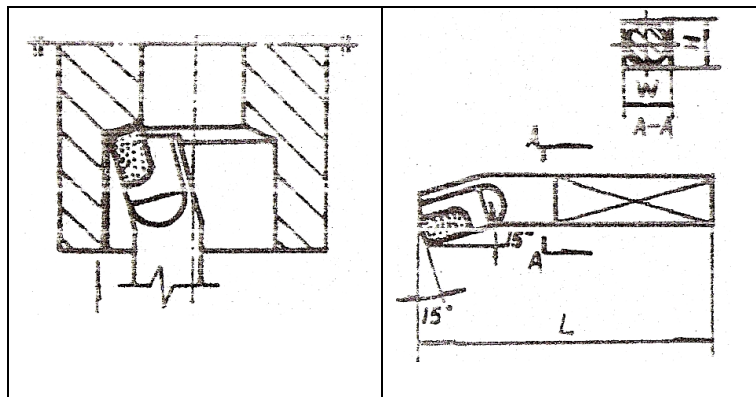


Turning Tools: Carbide Brazed Tipped: Rough Boring Tools: ISO 8

 <p style="text-align: center;">RIGHT HAND SHOWN</p>	<p>Carbide Tipped Brazed Rough Boring Tools ISO 8 DIN 4973</p> <p>Grade P30, suitable for machining steel in low to moderate cutting speeds</p> <p>Grade K20, suitable for machining cast iron and short chip materials under moderate speeds and feeds</p>
---	---



Linear Code	Size mm H	Size mm W	Size mm L	Cutting	Material Grade
29-863-682	8	8	125	R/H	P30
29-863-684	10	10	150	R/H	P30
29-863-712	16	16	210	R/H	P30
29-863-713	16	16	210	R/H	K20
29-863-714	20	20	250	R/H	P30

Packed Weight and Dimensions

Linear Code	Weight g	W mm	H mm	L mm
29-863-682	76	28	20	143
29-863-684	110	40	16	158
29-863-712	402	36	23	231
29-863-713	374	34	22	213
29-863-714	690	34	22	259