



ACCURATE
LOCK & HARDWARE
AMERICAN CRAFTED SINCE 1972

G17 + GO17 Series Small Body Glass Patch Locksets

COMPACT + CONTEMPORARY



MODERN MINIMALISM

THE NEW G17 + GO17 SERIES

Accurate's smallest glass patch makes a minimal statement that enhances the beauty of glass doors. Offered as a complete package including lock body, patch assembly and levers; as well as cylinder and thumb turn if required.

Available in a range of finishes and functions, the G17 Series allows for sleek and modern open-space design.

1759 FUNCTION GLASS PATCH WITH 18L LEVERS

G17 + G017 Series

SMALL BODY GLASS PATCH LOCK

EUROPEAN-INSPIRED STYLE

- Maintain the sleek, modern aesthetic where glass doors are prominent

DESIGN VERSATILITY

- Compatible with various partition system configurations
- Fits $1/2$ " and $3/8$ " tempered glass standard, other door thicknesses available

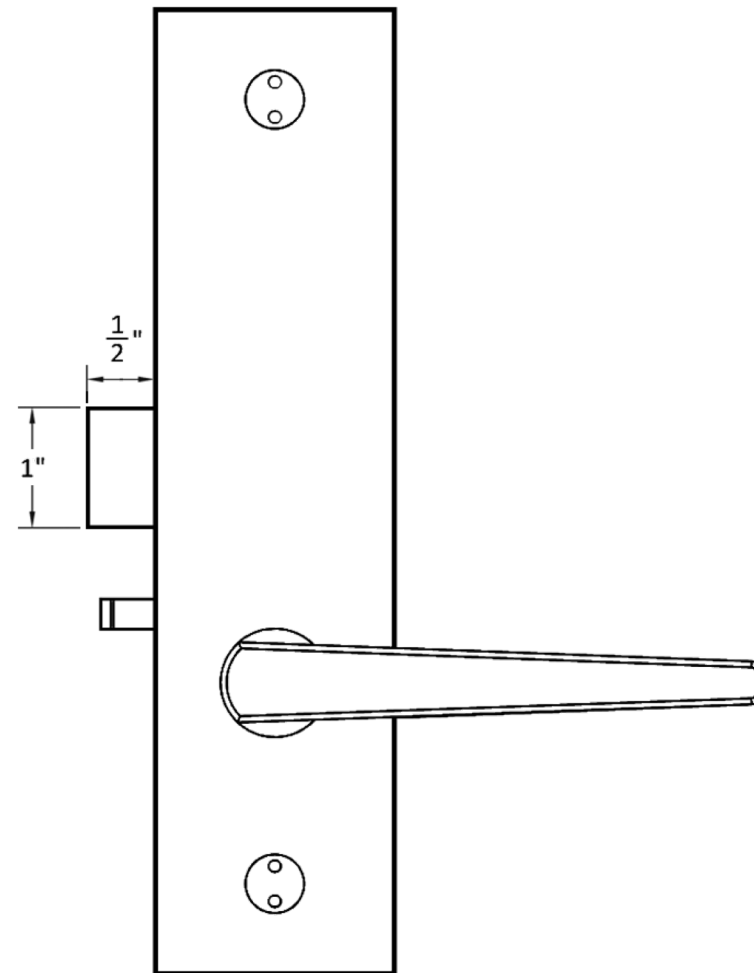
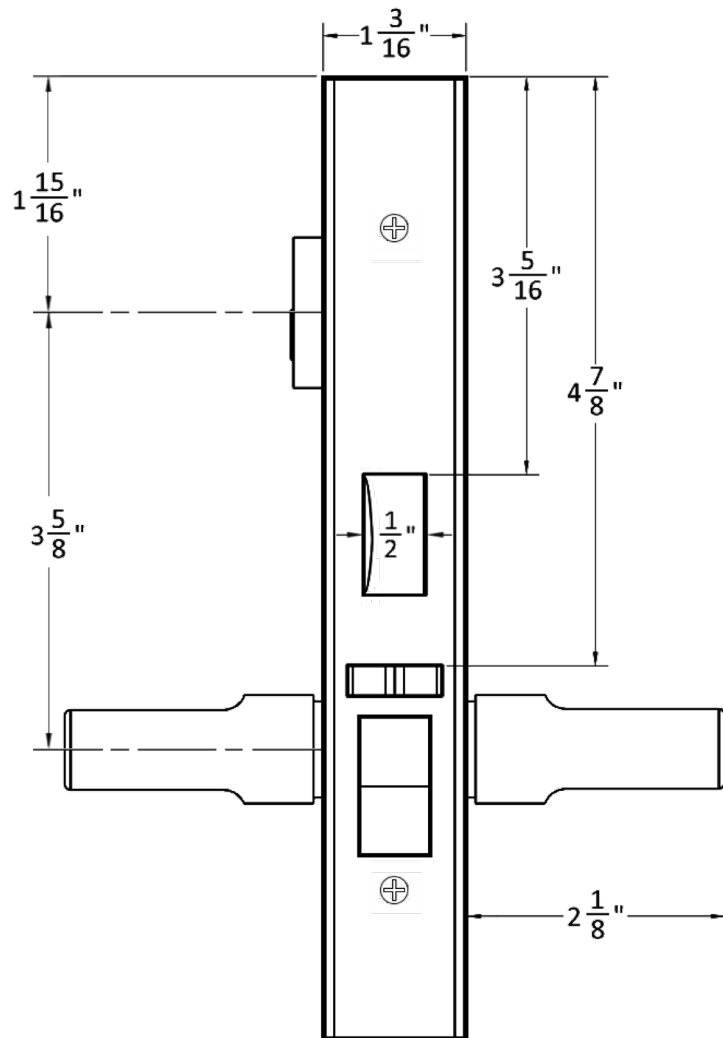
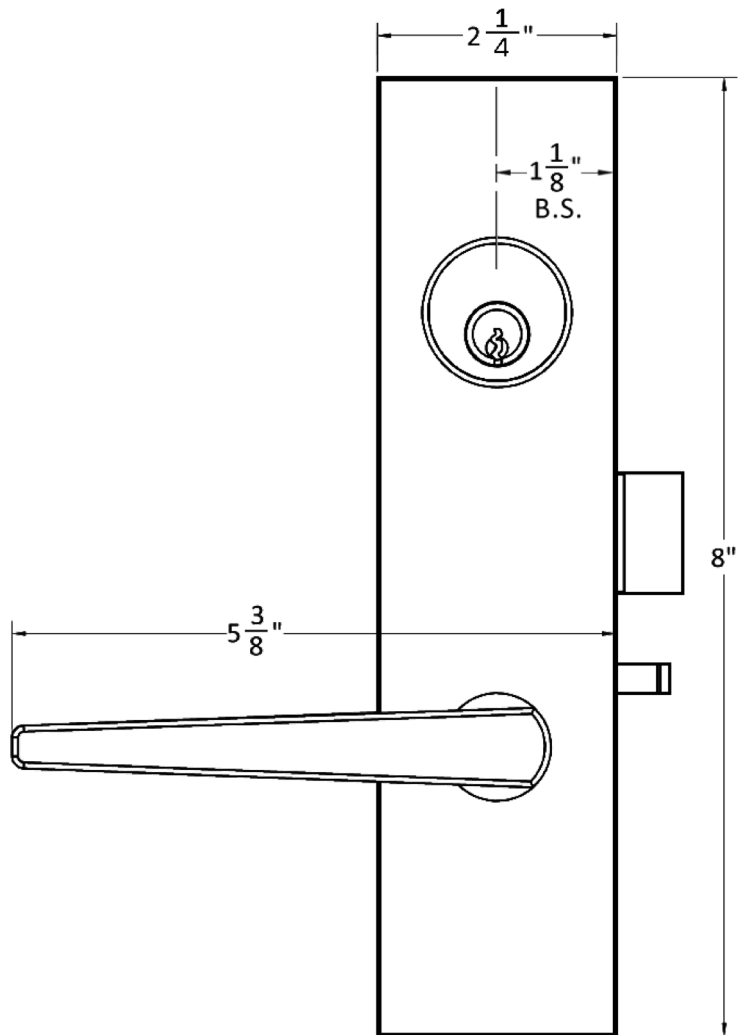
FUNCTIONALITY

- Available in a variety of functions
- Can be used with standard mortise cylinders
- Features latch holdback by cylinder
- Quick installation



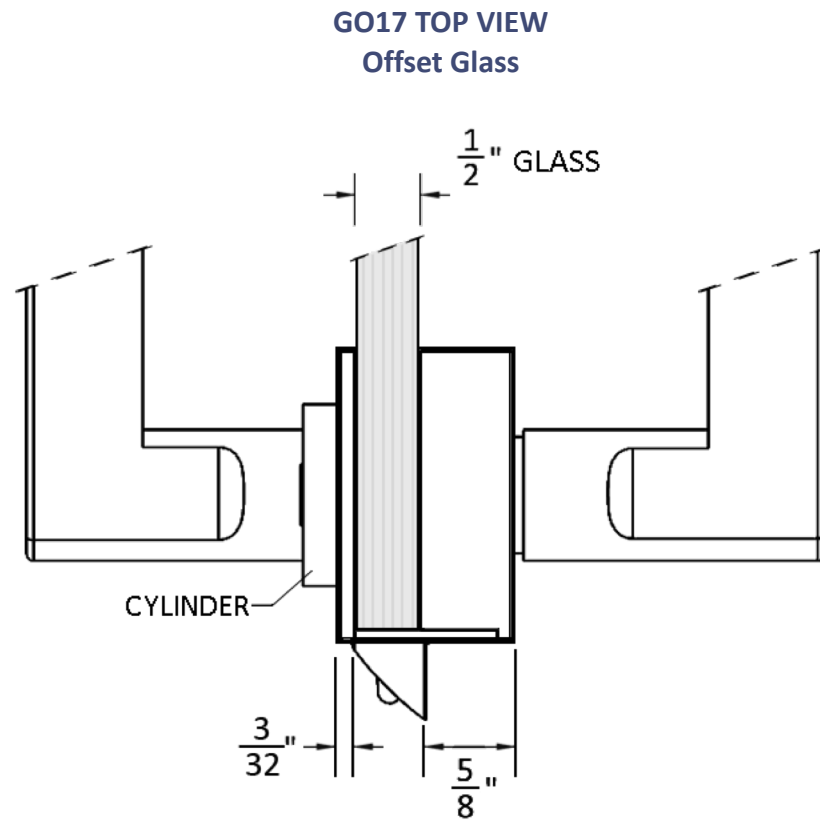
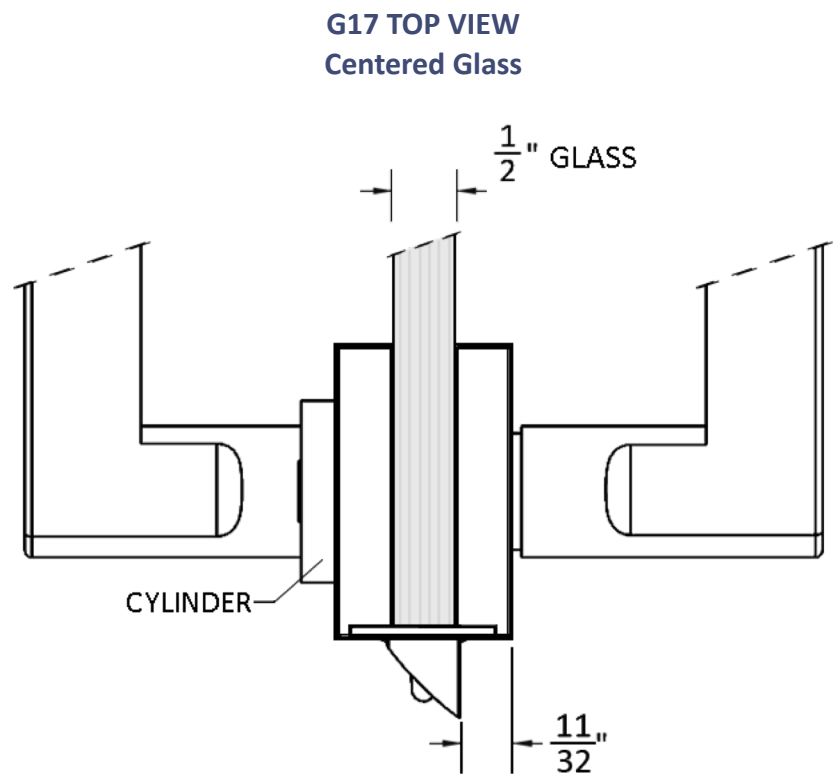
G1758 FUNCTION

G17 + GO17 Glass Patch Latch Bolt Dimensions



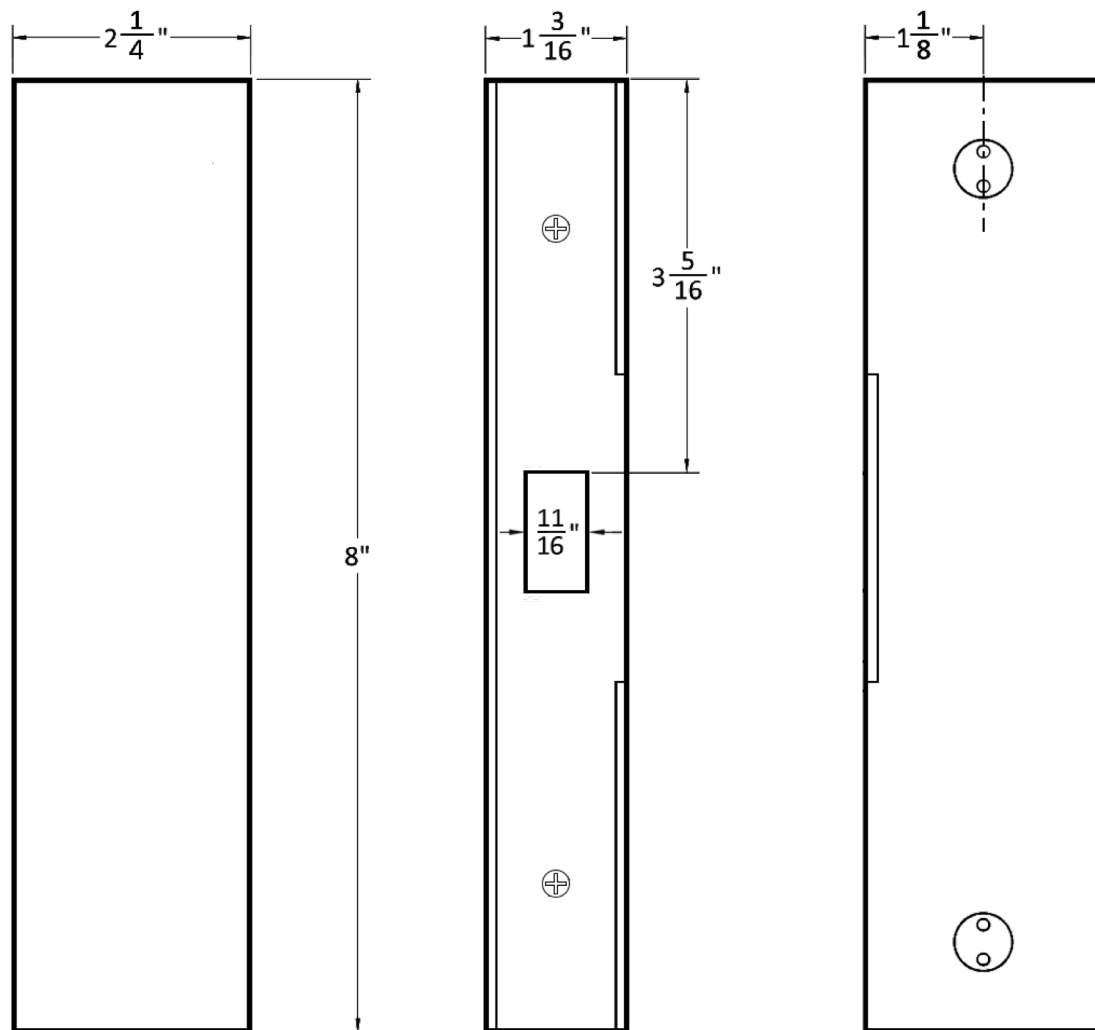
G1756 ENTRANCE FUNCTION WITH 18L LEVERS
(other levers available)

G17 + GO17 Glass Patch Latch Bolt Dimensions

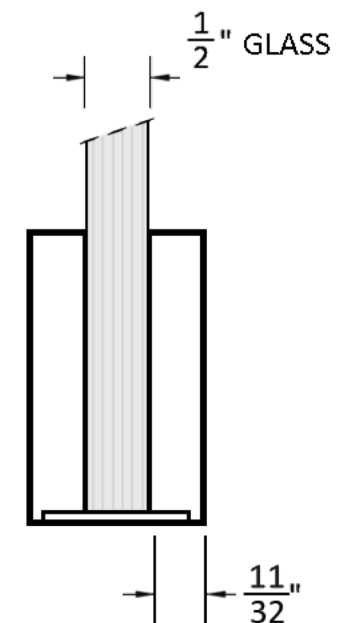


Shown on 1/2" thick glass.
Also available standard on 3/8" thick glass and
custom door thicknesses upon request.

GPS17 Strike Dimensions



GPS17 TOP VIEW

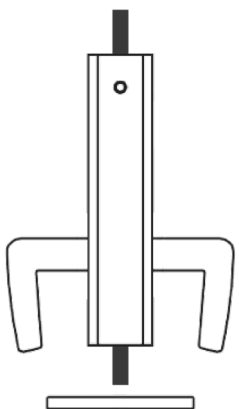


Specify for frameless and glass wall partition systems

Shown on $\frac{1}{2}$ " thick glass.

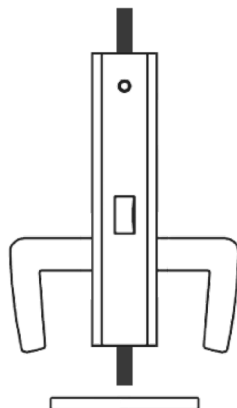
Also available standard on $\frac{3}{8}$ " thick glass and custom door thicknesses upon request.

G17 Series Functions



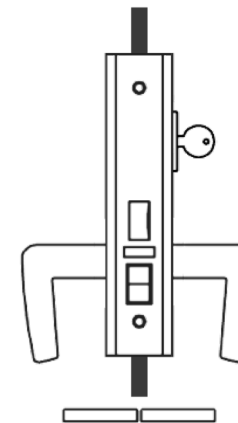
G1700ADL ACTIVE DUMMY LOCK

Active handles inside and outside.



G1725 PASSAGE

Latch bolt by lever either side.

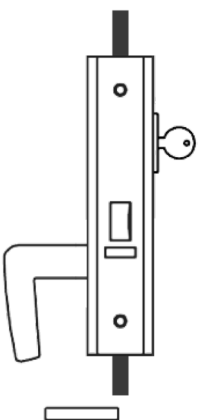


G1756 ENTRANCE OR OFFICE

Latch bolt by key outside and lever either side unless outside lever is locked by toggle-action stop.

Auxiliary latch deadlocks latch bolt.

Latch can be held retracted by key.



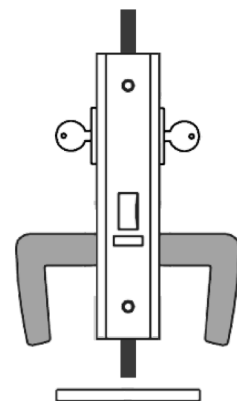
G1757 ENTRANCE OR OFFICE

Latch by lever inside and key outside.

No outside lever.

Auxiliary latch deadlocks latch bolt.

Latch can be held retracted by key.



G1758 INSTITUTION OR ASYLUM

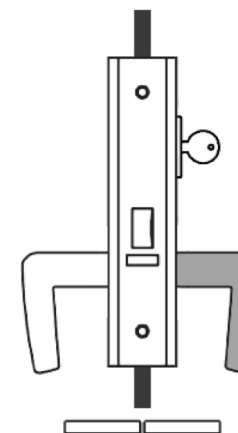
Latch by key either side.

Inside and outside levers always **rigid**.*

Auxiliary latch deadlocks latch bolt.

Latch can be held retracted by key.

** Verify code compliance before using this function*



G1759 STOREROOM OR CLOSET

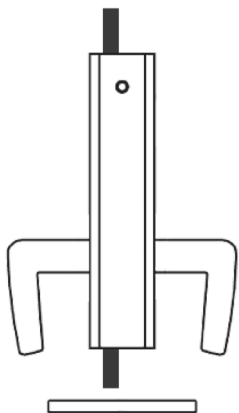
Latch by lever inside and key outside.

Outside lever always **rigid**.

Auxiliary latch deadlocks latch bolt.

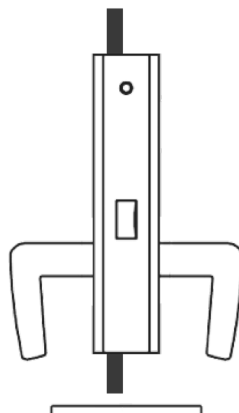
Latch can be held retracted by key.

GO17 Series Functions



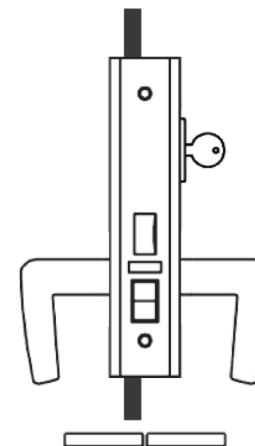
GO1700ADL ACTIVE DUMMY LOCK

Active handles inside and outside.



GO1725 PASSAGE

Latch bolt by lever either side.

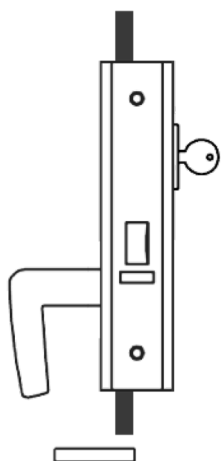


GO1756 ENTRANCE OR OFFICE

Latch bolt by key outside and lever either side unless outside lever is locked by toggle-action stop.

Auxiliary latch deadlocks latch bolt.

Latch can be held retracted by key.



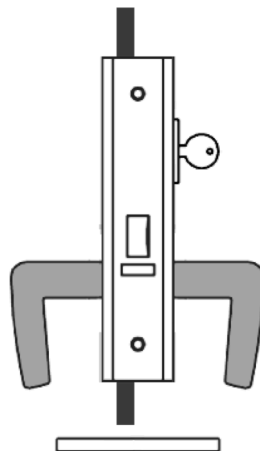
GO1757 ENTRANCE OR OFFICE

Latch by lever inside and key outside.

No outside lever.

Auxiliary latch deadlocks latch bolt.

Latch can be held retracted by key.



GO1758 INSTITUTION OR ASYLUM

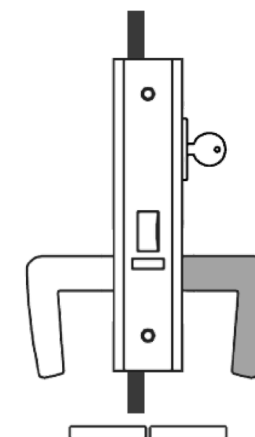
Latch by key either side.

Inside and outside levers always **rigid**.*

Auxiliary latch deadlocks latch bolt.

Latch can be held retracted by key.

** Verify code compliance before using this function*



GO1759 STOREROOM OR CLOSET

Latch by lever inside and key outside.

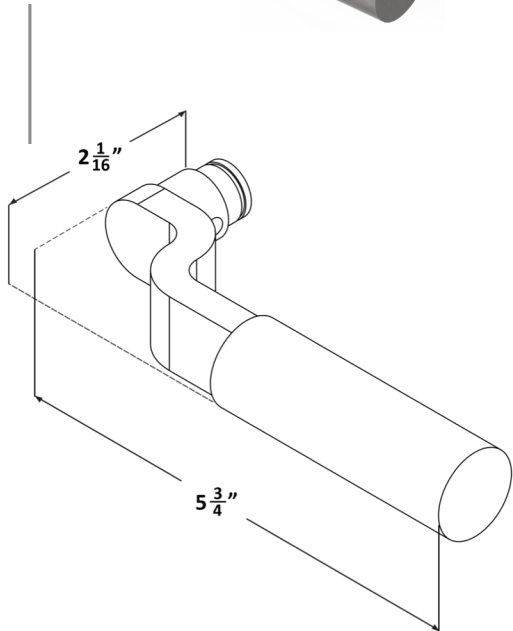
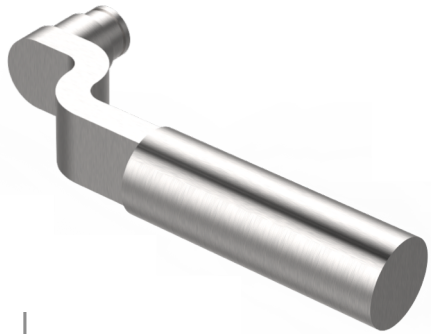
Outside lever always **rigid**.

Auxiliary latch deadlocks latch bolt.

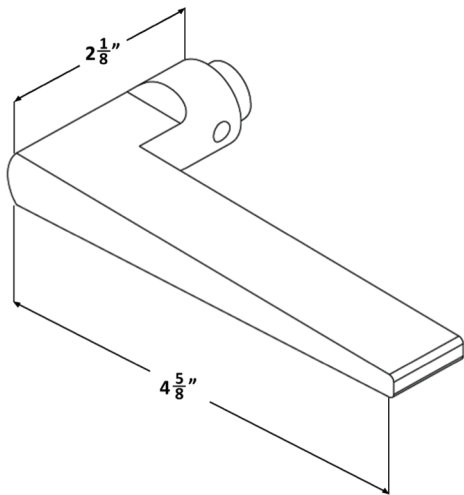
Latch can be held retracted by key.

ACCURATE LEVER TRIM OPTIONS

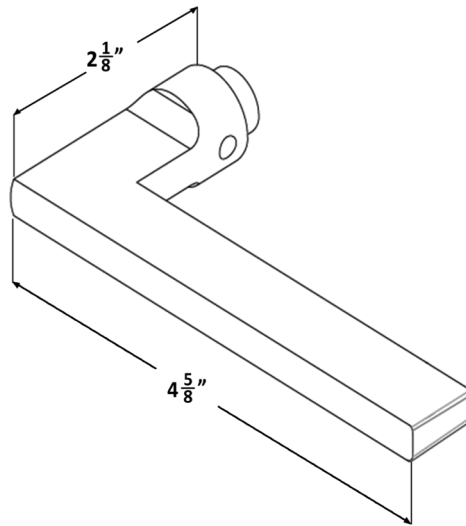
17L LEVER



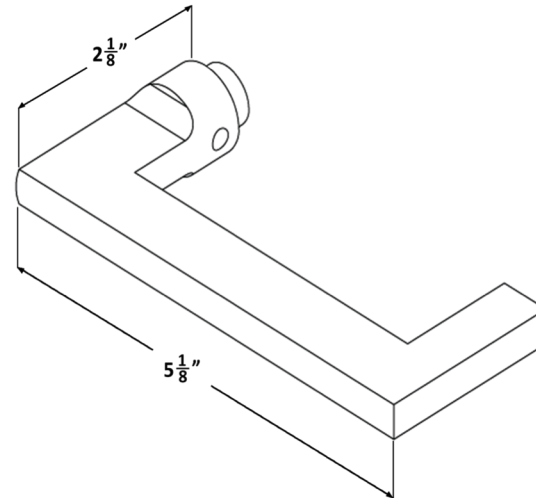
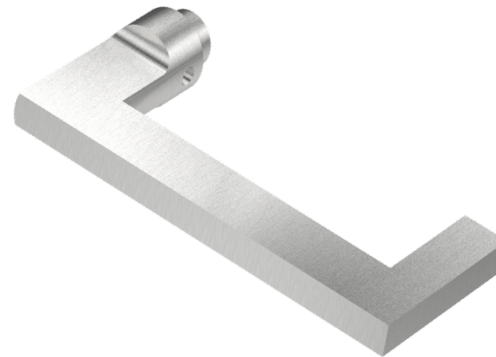
18L LEVER



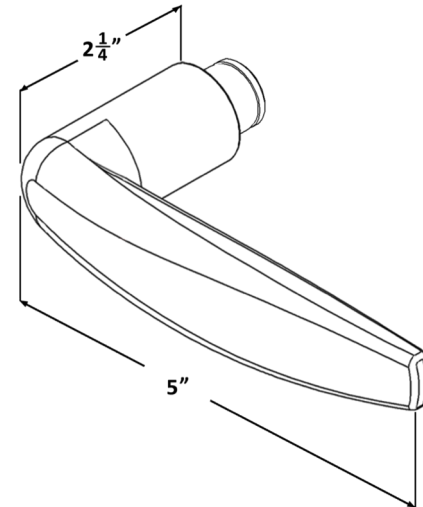
19L LEVER



20L LEVER

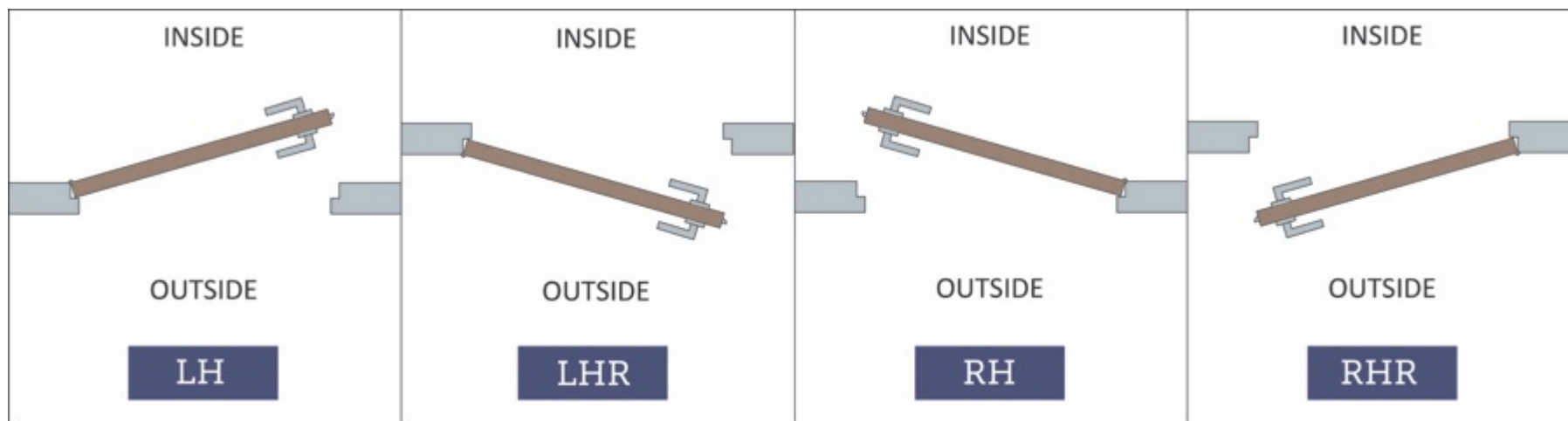


29L LEVER
Furnished Standard



HOW TO SPECIFY

HANDING

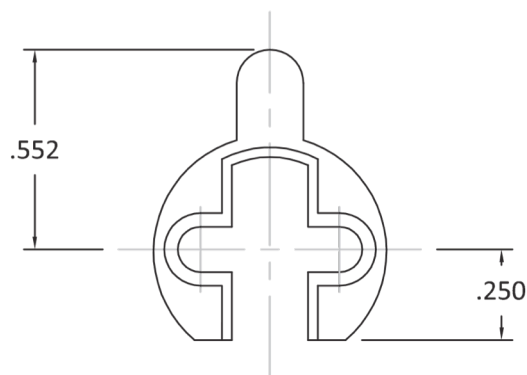


FINISHES

GROUP 1: US26D, ESN

GROUP 2: US4, US10B, US26

Other finishes available, please [contact us](#) for assistance.



CYLINDERS & KEYING

G17 + GO17 Series locks accept any standard American mortise cylinder. For details on required cams and compatibility with other manufacturers' cylinders, please visit: [Accurate Support](#).

HOW TO SPECIFY

FUNCTION.BACKSET.TRIM.FINISH.HAND.DOOR THICKNESS.STRIKE

Functions

See available functions (pg. 7-8)

Backset
1¹/₈" standard
1" available special
order

Trim
Accurate Lever
Trim included
(pg. 9)

Finishes
See available
finishes (pg. 10)

GPS17 Strike

Specify for frameless and
glass wall applications.

SD Strike

Available for framed
applications. No added cost

Door Thickness

Standard 3³/₈" or 1¹/₂" tempered glass.
Other door thicknesses available upon
request.

EXAMPLES

G17 Entrance | Glass Wall

E.g.: G1757.1.72L.US26D.RH.1/2.GPS17

GO17 Entrance | Aluminum Frame (4⁷/₈" Strike)

E.g.: GO1756.1.18L.US26D.RH.1/2.SD

G17 Passage

E.g.: G1725.1.19L.ESN.RH.1/2

CUSTOM OPTIONS AVAILABLE

- Set up for levers by other manufacturers
- Other backsets, door thicknesses and custom anodized aluminum finishes/colors
- Access control applications
- Sliding door functionality (GS17)
- Self-latching functionality (GSL17)

Cylinders and cylinder thumb turns must be specified separately if required.

See 1700 Series for lock body information.

*Note: For compatibility please verify vertical spacing as well as through-bolting locations or call for assistance.

**ACCURATE LOCK & HARDWARE
MANUFACTURERS OF LOCKS AND
CUSTOM ARCHITECTURAL HARDWARE**

1 Annie Place | Stamford, CT 06902

P: 203.348.8865

F: 203.348.5234

E: sales@accuratelockandhardware.com

www.accuratelockandhardware.com



AMERICAN CRAFTED
— SINCE 1972 —