



OPTX-XFP-10G-MM-SR

10Gbps XFP Transceiver, 300m Reach



Features

- ▶ Supports 9.95Gbps to 10.5Gbps bit rates
- ▶ Maximum link length of 300m (50um, MMF, 2000MHz.Km)
- ▶ 850nm VCSEL laser and PIN receiver
- ▶ Low power consumption <1.5W
- ▶ +5V, +3.3V power supply
- ▶ XFP MSA package with duplex LC connector
- ▶ XFI electrical interface
- ▶ No reference clock required
- ▶ Compatible with RoHS
- ▶ Excellent EMI performance
- ▶ Built-in digital diagnostic functions
- ▶ Temperature range: 0°C to +70°C
- ▶ High reliability

Applications

- ▶ 10GBASE-SR/SW 10G Ethernet
- ▶ 1200-Mx-SN-I 10G Fibre Channel
- ▶ Other optical links

Description

The OPTX-XFP-10G-MM-SR is compliant with the 10G Small Form-Factor Pluggable (XFP) Multi-Source Agreement (MSA), supporting data-rate of 10.3125Gbps(10GBASE-LR) or 9.953Gbps 10GBASE-LW), and transmission distance up to 300m on 50µm MMF (2000MHz.km).

The transceiver module comprises a transmitter with 850nm a vertical cavity surface emitting (VCSEL) laser and a receiver with a PIN photodiode. Transmitter and receiver are separate within a wide temperature range of 0°C to +70°C and offers optimum heat dissipation and excellent electromagnetic shielding thus enabling high port densities for 10 GbE systems.



Absolute Maximum Ratings

Rating	Symbol	Min	Max	Units	Ref.
Storage Ambient Temperature Range		-40	+85	°C	
Powered case Temperature Range		0	+75	°C	
Operating Relative Humidity	<i>RH</i>		80	%	
Supply Voltage Range @ 5V	<i>Vcc5</i>	-0.5	6.0	V	
Supply Voltage Range @ 3.3V	<i>Vcc3</i>	-0.5	4.0	V	
Static Discharge Voltage on XFI High			500	V	1
Static Discharge Voltage excluding XFI High Speed Pins			2,000	V	2
Static Discharge Voltage on XFP Module			15,000 8,000	V V	3

Any stress beyond the maximum ratings can result in permanent damage. The device specifications are guaranteed only under the recommended operating conditions.

Notes:

- 1, HBM human body model per JEDEC JESD22-A114-B.
- 2, HBM human body model.
- 3, EN61000-4-2 Criterion B:Air Discharge Direct Contact discharge

Recommend operating condition

Parameter	Symbol	Min	Typ	Max	Units	Ref.
Operating Case Temperature Range	<i>Tc</i>	0		+70	°C	
Transceiver total Power Consumption	<i>P_{TOT}</i>			1.5	W	1
Power Supply Voltage @ 5V	<i>Vcc5</i>	4.75	5.0	5.25	V	
Power Supply Voltage @ 3.3V	<i>Vcc3</i>	3.13	3.3	3.47	V	

Notes:

- 1, Maximum total power value is specified across the full temperature and voltage range.



Electrical Characteristics

Electrical Transmitter

Parameter	Symbol	Min	Typ	Max	Units	Ref.
Input Differential Impedance	R_{IND}		100		Ω	1
Differential input Voltage Swing	V_{ID}	120		1000	mV	2
Transmit Disable Voltage	VDis	2.0		VCC		
Transmit Enable Voltage	VEN	GND		GND+0.8		
Transmit Disable Assert Time				10	us	

Notes:

1. After internal AC coupling.
2. Beneath this level the signal can't meet the specification

Electrical Receiver

Parameter	Symbol	Min	Typ	Max	Units	Ref.
Differential Output Impedance	Z_{OD}		100		Ω	
Differential Output Amplitude	V_{OSPP}	500		800	mV	1
Transition Time Low to High	t_r	40			ps	2
Transition Time High to Low	t_f	40			ps	2
LOS Fault	L_{fault}	Vcc-0.5		VCCHOST	V	3
LOS Normal	L_{normal}	GND		GND+0.5	V	3

Notes:

- 1, Into 100 ohms differential termination.
- 2, 20 – 80 %.
- 3, Loss Of Signal is open collector to be pulled up with a 4.7k Ω – 10k Ω resistor to 3.15 – 3.6V. Logic 0 indicates normal operation; logic 1 indicates no signal detected.

Optical Characteristics - Optical Transmitter

Parameter	Symbol	Min	Typ	Max	Units	Ref.
Nominal Wavelength	λ_{TRP}	840	850	860	nm	
Spectral Width	$\Delta\lambda$		0.4	0.45	nm	
Average Power	P_{optavg}	-7.5		-1	dBm	1
Extinction Ratio	ER	3.0			dB	2
Relative Intensity Noise	RIN			-128	dB/Hz	

Notes:

- 1, launched into MMF.
- 2, Measured with PRBS 2³¹-1 @10.3125Gbps.



Optical Receiver

Parameter	Symbol	Min	Typ	Max	Units	Ref.
Center Wavelength	λ_C	840	850	860	Nm	
Receiver Sensitivity	P_{IN}			-9.9	dBm	1
Receiver Sensitivity in OMA	P_{IN}			-11.1	dBm	1
Receiver Overload	P_{in}	-1.0			dBm	1
Receiver Reflectance				-12	dBm	
LOS De-Assert	$LOSD$			-12	dBm	
LOS Assert	$LOSA$	-25	-15		dBm	
LOS Hysteresis		0.5			dB	

Notes:

1, Measured with PRBS 2³¹-1 @10.3125Gbps.

With ideal transmitter

Note: The specified characteristics are met within the recommended range of operating conditions and under the default settings of output power and modulation amplitude. A change in setting of the optical output power influences especially the dynamic behavior of the output signal. Unless otherwise noted typical data are quoted at nominal voltages and +25 °C ambient temperature.

General Specifications

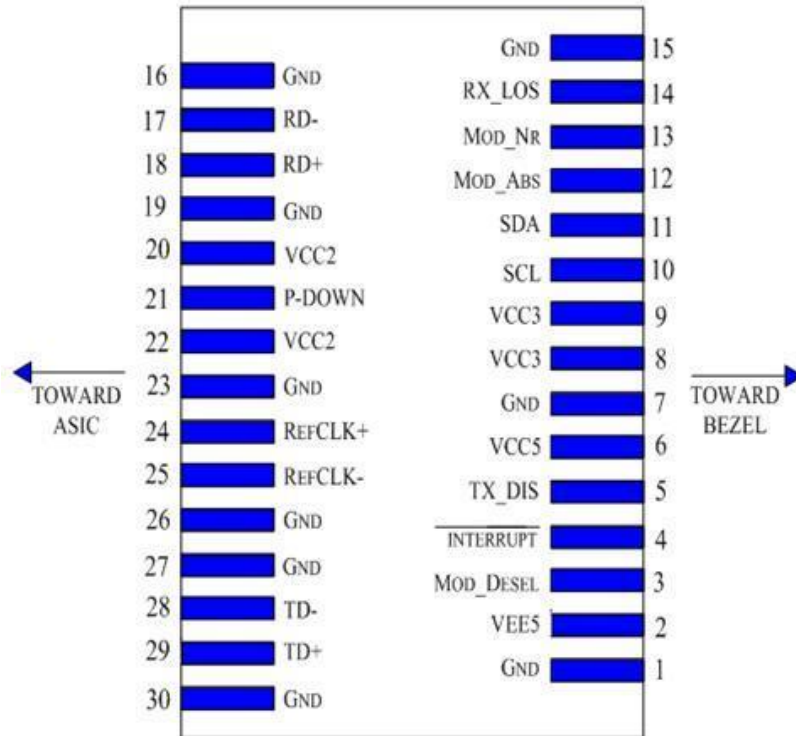
Parameter	Conditions	Min Modal Bandwidth (MHz*Km)	Symbol	Min	Typ	Max	Units	Ref.
Operating Range	62.5/125µm MMF	160	I_{OP}	2		26	m	
	50/125µm MMF	400				66		
	62.5/125µm MMF	200				33		
	50/125µm MMF	500				82		
	50/125µm MMF	2000				300		
Bit Rate			BR	9.95		10.5	Gbps	1
Bit Error Ratio			BER			10^{-12}		2

Notes:

1. 10GBASE-SR/SW, 1200-Mx-SN-I

2. Tested with a 231 – 1 PRBS

Host Board Connector Pinout



Electrical Pin Definition

PIN	Logic	Symbol	Name Description	Note
1		GND	Module Ground	1
2		VEE5	Optional-5.2V Power Supply	
3	LVTTL-I	Mod_DeSel	Mode De-select; When held low allows module to 2-wire serial interface commands	
4	LVTTL-O	Interrupt	Interrupt(inverted); Indicates Presence of an important condition which can be read over the 2-wire serial interface	2
5	LVTTL-I	TX_DS	Transmitter Disable; Turns off transmitter laser output	



6		VCC5	+5V Power Supply	
7		GND	Module Ground	1
8		VCC3	+3.3V Power Supply	
9		VCC3	+3.3V Power Supply	
10	LVTTTL-I/O	SCL	2-Wire Serial Interface Clock	2
11	LVTTTL-I/O	SDA	2-Wire Serial Interface Data Line	2
12	LVTTTL-O	Mod_Abs	Indicates Module is not present. Grounded in the module	2
13	LVTTTL-O	Mod_NR	Module Not Ready; Indicating module operational fault	2
14	LVTTTL-O	RX_LOS	Receiver Loss Of Signal Indicator	2
15		GND	Module Ground	1
16		GND	Module Ground	1
17	CML-O	RD-	Receiver Inverted Data Output	
18	CML-O	RD+	Receiver Non-Inverted Data Output	
19		GND	Module Ground	1
20		VCC2	+1.8V Power Supply	
21	LVTTTL-O	P-Down/RST	Power Down; When high; requires the module to limit power consumption to 1.5W or below. 2-Wire serial interface must be functional in the low Power mode Reset; The falling edge initiates a complete reset of the module including the 2-wire serial interface; equivalent to a power cycle	
22		VCC2	+1.8V Power Supply	
23		GND	Module Ground	1
24	PECL-I	RefCLK+	Reference Clock Non-Inverted Input; AC coupled on the host board	
25	PECL-I	RefCLK-	Reference Clock Inverted Input; AC coupled on the host board	
26		GND	Module Ground	1
27		GND	Module Ground	1
28	CML-I	TD-	Transmitter Inverted Data Input	
29	CML-I	TD+	Transmitter Non-Inverted Data Input	
30		GND	Module Ground	1

Notes:

- 1, Module ground pins GND are isolated from the module case and chassis ground within the module.
- 2, Shall be pulled up with 4.7kΩ-10 kΩ to a voltage between 3.15V and 3.45V on the host board.

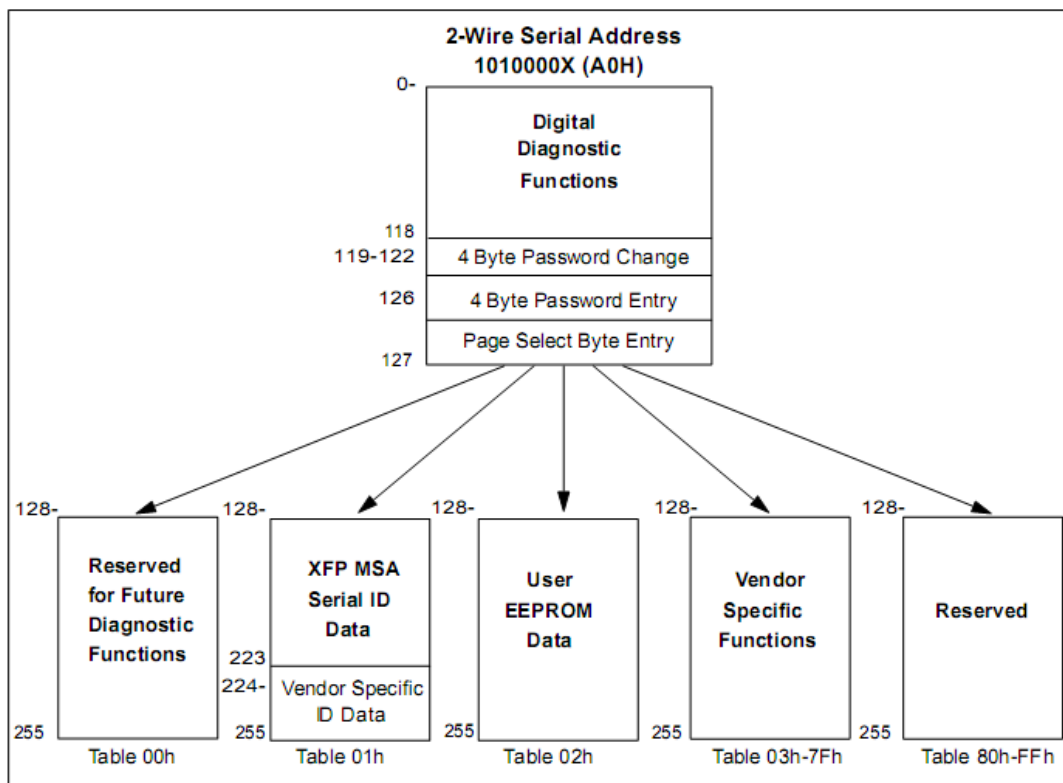


Management Interface

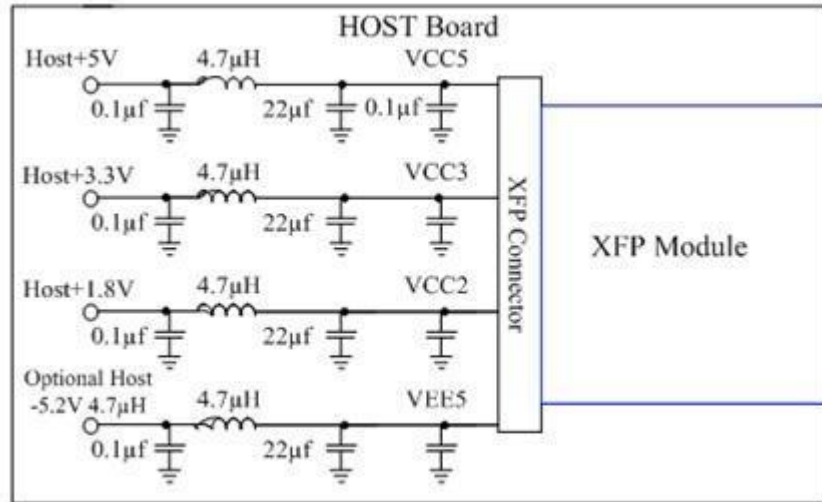
The transceivers provide serial ID memory contents and diagnostic information about the present operating conditions by the 2-wire serial interface (SCL, SDA).

The Module provides diagnostic information about the present operating conditions. The transceiver generates this diagnostic data by digitization of internal analog signals. Alarm/warning threshold data is written during device manufacture. Received power monitoring, transmitted power monitoring, bias current monitoring, supply voltage monitoring and temperature monitoring all are implemented.

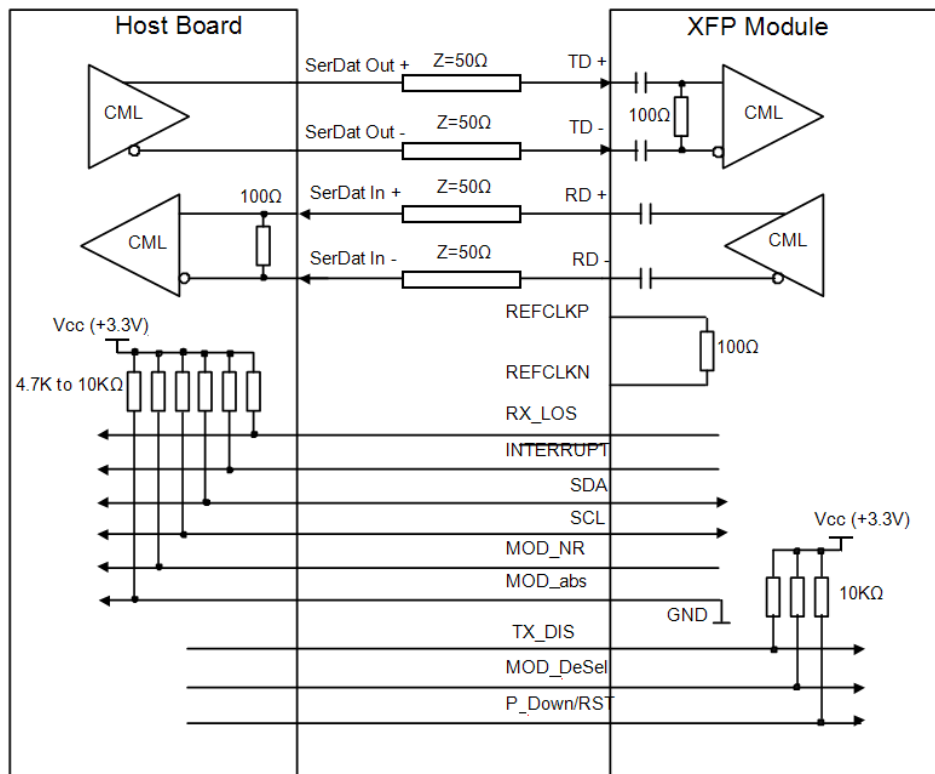
The digital diagnostic memory map specific data field defines as following.



Recommended Host Board Power Supply Circuit

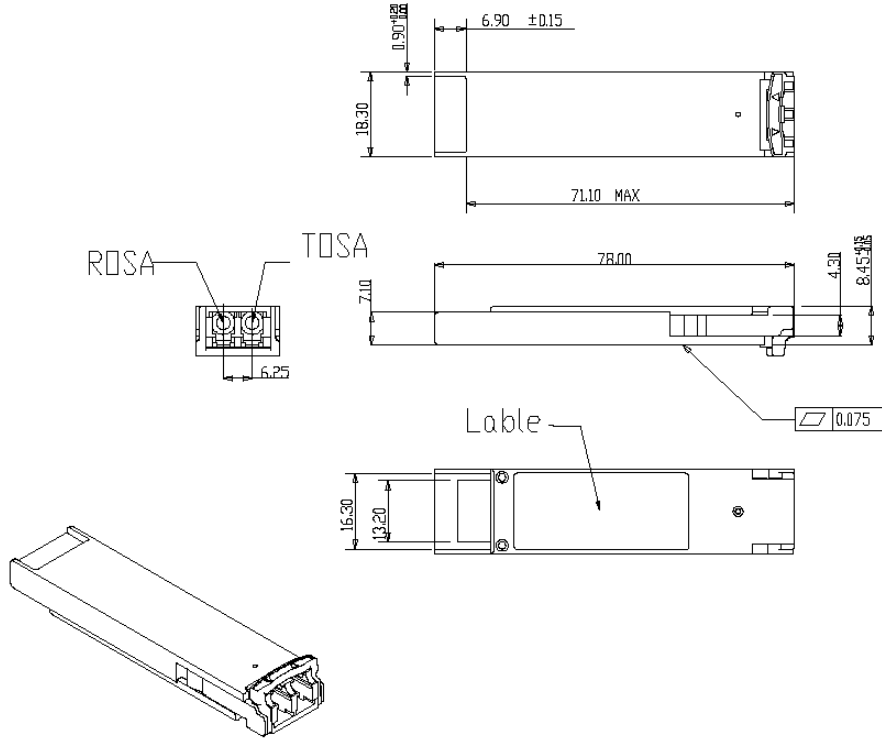


Recommended High-speed Interface Circuit



Mechanical Specifications

XFP transceivers are compliant with the dimensions defined by the XFP Multi-Sourcing Agreement (MSA).



Ordering information

Part Number	Product Description
OPTX-XFP-10G-MM-SR	850nm VCSEL, 10Gbps, 300m, Dual LC, DOM 0°C ~ +70°C
OPTX-XFP-10G-MM-SR	Contact OptiX2 sales of other OEM Options