

Pillar Light High Power

PIL/HP

DESCRIPTION

The Pillar Light High Power illuminates both upwards and downwards, giving columns, gateway pillars and entrances a dramatic effect. All Hunza High Power products have an extra powdercoat layer to ensure maximum corrosion protection.



PURE LED

LED Chip	Cree CXA1512 Plug and Play, field replaceable PCB boards, 2x18Vf
Output	2x1200 lumens @ 700mA max
Lumens Per Watt	100lm/W
Power Consumption	25.2 watts
Colour Temperature	2700K, 3000K and 4000K
CRI Warm White (3000K)	85+, 90+ (optional)
Beam Angle	15, 25, 38, 60 degrees

*Specification for pureled only, there are no other alternative lamp sources for this fixture.

PHYSICAL PROPERTIES

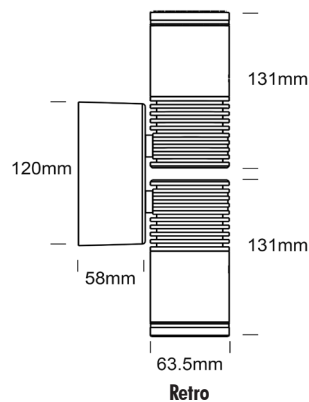
Materials	Powdercoated Aluminium
Ingress Protection	IP66
Standards	AS/NZS 61046, UL 1598, CSA C22.2 No. 250.0

POWER SUPPLY OPTIONS

DRIVER REQ FOR SERIES WIRED (CC FORMAT) ** | DRIVER REQ FOR PARALLEL WIRED (CV FORMAT) ***
NO DRIVER REQ FOR RETRO 'R' (INTEGRAL 230V IN)

** See pages 2,6-7,9 power supplies

*** See pages 10 power supplies



CATEGORY
WALL MOUNT

LUMINAIRE

PIL/HP

POWER

- /L/S 700mA INPUT (CC) SERIES WIRED
- /L/D10 6W, 12VAC INPUT (CV) PARALLEL WIRED DRIVER
- /L/R RETRO, 110/240V DRIVER

/L/S PURELED SERIES WIRED,

Remote constant current driver required.
Individual fixtures require:
18VDC@700mA

BEAM

/L/D PURELED PARALLEL WIRED,

Remote 240V - 12VAC transformer required. Hunza integrated plug and play driver included.
Input: 9-15VAC.
Output: 18VDC @ 700mA

COLOUR

- 15
- 30
- 40

ACCESSORIES

- 2 2700K
- 3 3000K
- 4 4000K
- 39 3000K, 90+ CRI

/L/R PURELED 110/240VAC RETRO DRIVER

Input: 110-240VAC, 14 watt total (driver included)
Output: 18VDC, 700mA
0-10 volt dimming

HCL

- SNT
- GG
- FL
- CIK

HEX CELL LOUVRE

- SNOOT
- GLARE GUARD
- FROSTED LENS
- CABLE JOINT KIT

MATERIAL/ FINISH

- BK BLACK
- BZ BRONZE
- OGR OLIVE GREEN
- WH WHITE
- WB WHITE BIRCH
- DG DARK GREY
- STAR SILVER STAR
- CT CORTEN

PRODUCT CONFIGURATION