

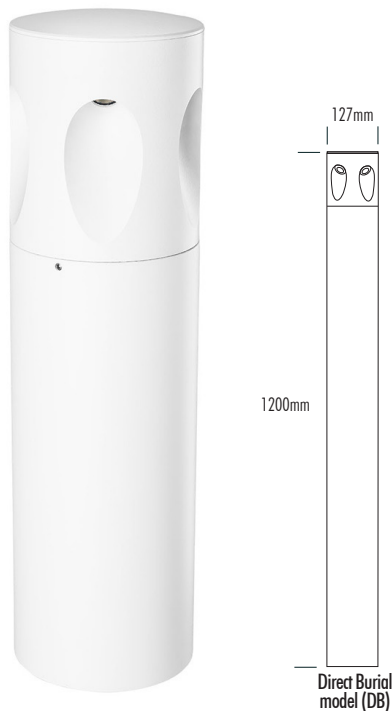
# Bollard ULTRA

BOL/U

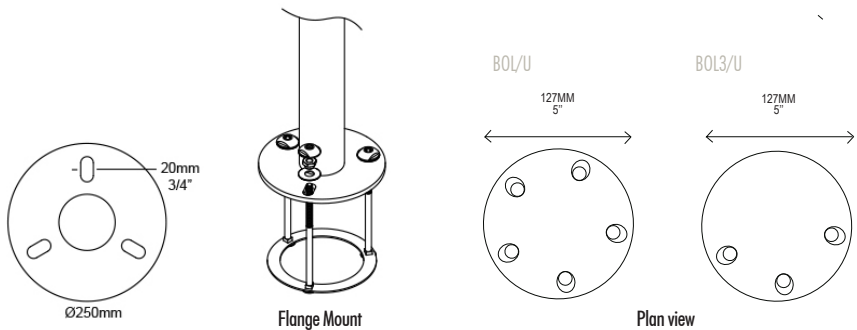
## DESCRIPTION

The Ultra Bollard is ideal for commercial application for ground lighting on driveways, pathways and squares. It has a sleek and contemporary aesthetic that will enhance any architectural setting. This luminaire features multiple facets that cast a 3 or 5-petal pattern and low glare downward illumination. The light pattern is dependent on the beam angle specified. All Hunza products have an extra layer of powdercoat to ensure maximum corrosion protection.

CATEGORY  
ARCHITECTURAL ULTRA RANGE



Direct Burial model (DB)



## PURE LED

LED Chip	Cree XTE Plug and Play, field replaceable PCB boards 3x 3Vf or 5x 3Vf
Output	1200 lumens @ 1050mA max
Lumens Per Watt	80 lm/W
Power Consumption	15.75 watts or 9.45 watts for BOL3/U
Colour Temperature	2700K, 3000K and 4000K, Red, Blue, Green, Amber
CRI Warm White (3000K)	85+
Beam Angle	15, 25, 45 Degrees

## PHYSICAL PROPERTIES

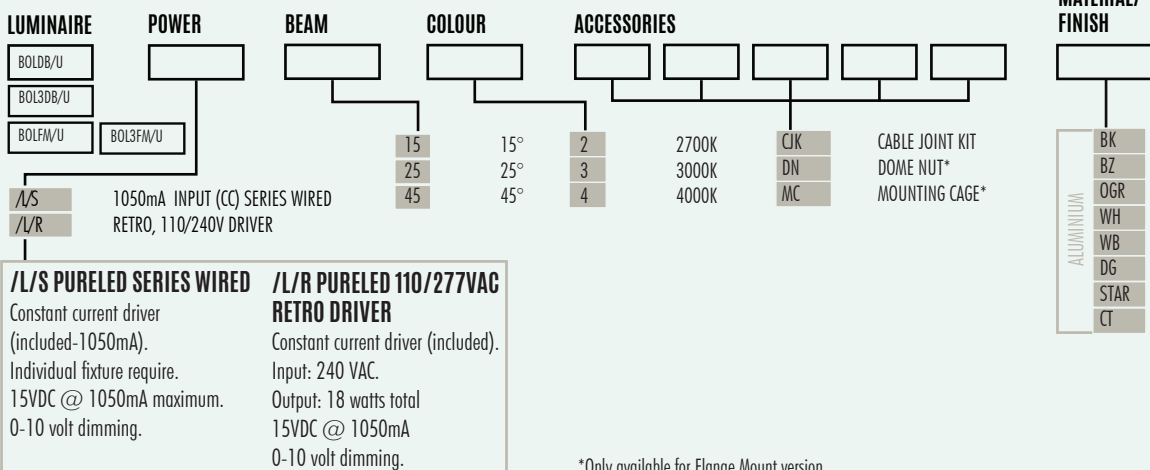
Materials	Powdercoated Aluminium
Ingress Protection	IP56/IP66
Impact Resistance	IK10
Standards	AS/NZS 61046, UL 1598, CSA C22.2 No. 250.0

## POWER SUPPLY OPTIONS

NO DRIVER REQ FOR RETRO 'R' ( INTEGRAL 230V IN ) | DRIVER REQ FOR SERIES WIRED ( CC FORMAT ) \*\*

\*\* Contact sales office

PRODUCT CONFIGURATION



\*Only available for Flange Mount version