

Flush Floor Light FFL Flush Floor Light Square FFLSQ

DESCRIPTION

The Flush Floor Light has been designed to mount flush with the level of a pathway, hotel floor or a building foyer. The flush fit lens stops water pooling and depositing dirt on the lens. There is no lip to trip over and the luminaire can be driven over or walked upon without being damaged. The canister is included for easy installation.



FFL



FFLSQ

CATEGORY
RECESSED & INGROUND

PURE LED	
LED Chip	Cree XHP-50-2 Plug and Play, field replaceable LED board, 6Vf
Output	510 lumens @ 1050mA max
Lumens Per Watt	100lm/W
Power Consumption	6Watts @1050mA
Colour Temperature	2700K, 3000K and 4000K
CRI Warm White (3000K)	90 standard
Beam Angle	15, 25, 38, 60 degrees

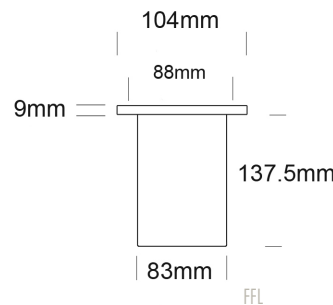
*Specification for pureled only, for retrofit lamp options please see alternative page.

PHYSICAL PROPERTIES	
Materials	Solid Copper or 316 Stainless Steel
Ingress Protection	IP67
Standards	AS/NZS 61046, UL 1838, 2108, CSA C22.2 No. 250.7, 250.0-08, CE

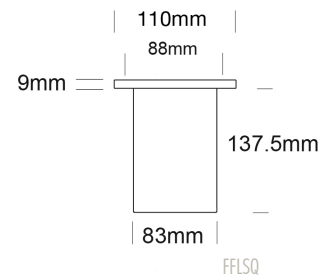
POWER SUPPLY OPTIONS	
DRIVER REQ FOR SERIES WIRED (CC FORMAT) ** TRANSFORMER REQ FOR PARALLEL WIRED (CV FORMAT)**	
NO DRIVER REQ FOR GU10	

** See pages 3-5,7,9 power supplies

*** See pages 11-12 power supplies



FFL



FFLSQ

PRODUCT CONFIGURATION

LUMINAIRE	POWER	BEAM	COLOUR	ACCESSORIES	MATERIAL/ FINISH
FFL FFLSQ					
/L/S	1050mA INPUT (CC) SERIES WIRED	15	15°	2	HCL
/L/D3	2W, 12VAC INPUT (CV) PARALLEL WIRED	25	25°	3	FL
/L/D7	4W, 12VAC INPUT (CV) PARALLEL WIRED	38	38°	4	CLK
/L/D10	6W, 12VAC INPUT (CV) PARALLEL WIRED	60	60°	39	TLTM
MR16	12V 5W RETROFIT LAMP				HEX CELL LOUVRE
GU10	7W SORAA RETROFIT LAMP 230V				FROSTED LENS
					CABLE JOINT KIT
					TILTING MODULE
					COP
					SS
					SOLID COPPER
					STAINLESS STEEL

<p>/L/S PURELED SERIES WIRED Remote constant current driver required. Individual fixtures require: 6VDC@1050mA, 1050mA maximum</p>	<p>/L/D PURELED PARALLEL WIRED Remote 240VAC-12VAC transformer required. Hunza integrated plug and play driver included. Input:9-15VAC. Output: 6VDC @ D3=350mA, D7=700mA, D10=1050mA</p>
---	--