

Pool Light

POOL

DESCRIPTION

The Pool Light is an underwater luminaire designed for recessed installation in swimming pools. It is fully submersible, tested to an IP68 water protection rating and features an electro-polish finish for additional corrosion resistance. The luminaire is held in the PVC canister by two "O" rings. There are no mounting screws in the flange to spoil the aesthetics of this luminaire. Up to 600mm (2 ft) of cable can be coiled up inside the mounting canister enabling the luminaire to be removed for lamp changing above the water line.

PURE LED

LED Chip	Cree XHP-50-2 Plug and Play, field replaceable LED board, 6Vf
Output	600lumens @ 1050mA max
Lumens Per Watt	100lm/W
Power Consumption	6 watts @1050mA
Colour Temperature	2700K, 3000K and 4000K
CRI Warm White (3000K)	90 standard
Beam Angle	15, 25, 38, 60 degrees

PHYSICAL PROPERTIES

Materials	Electropolished 316 Stainless Steel
Ingress Protection	IP68
Standards	AS/NZS 61046, UL 676 (12 volt only)

POWER SUPPLY OPTIONS

TRANSFORMER REQ FOR PARALLEL WIRED (CV FORMAT)**

** See pages 11-12 power supplies

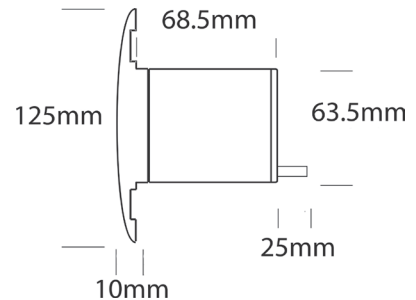
CATEGORY
UNDERWATER



POOLCAN



POOL



PRODUCT CONFIGURATION

