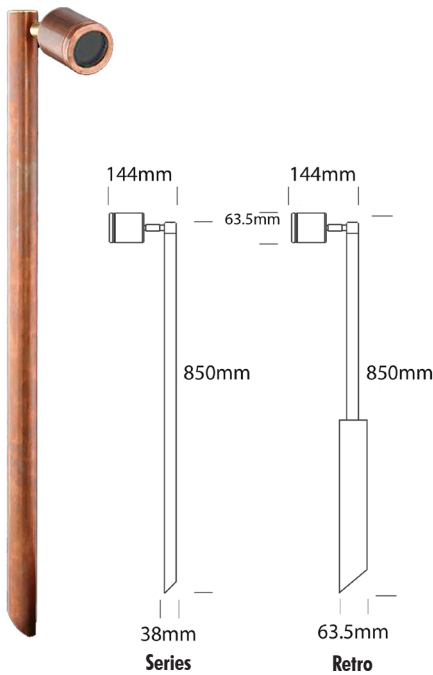


Single Pole

SPL

DESCRIPTION

The Single Pole Lite has an individual spotlight, connected to a fully adjustable arm, allowing 360 degrees rotation and 0-90 degrees elevation. The fixture is ideal for path lighting as well as tree lighting. The head may be aimed downward to eliminate vertical light.



PURE LED

LED Chip	Cree XHP-50-2 Plug and Play, field replaceable LED board, 6Vf
Output	600 lumens @ 1050mA max
Lumens Per Watt	100lm/W
Power Consumption	6 watts @1050mA
Colour Temperature	2700K, 3000K and 4000K
CRI Warm White (3000K)	90 standard
Beam Angle	15, 25, 38, 60 degrees

*Specification for pureled only for retrofit lamp options please see alternative lampspage.

PHYSICAL PROPERTIES

Materials	Powdercoated Aluminium, Solid Copper or 316 Stainless Steel
Ingress Protection	IP56/IP66
Standards	AS/NZS 61046, UL 1838, CSA C22.2 No. 250.7

POWER SUPPLY OPTIONS

DRIVER REQ FOR SERIES WIRED (CC FORMAT) ** | TRANSFORMER REQ FOR PARALLEL WIRED (CV FORMAT)***
 NO DRIVER REQ FOR RETRO 'R' (INTEGRAL 230V IN) | NO DRIVER REQ FOR GU10

** See pages 3-5,7,9 power supplies

*** See pages 11-12 power supplies

CATEGORY
POLE MOUNTED

LUMINAIRE	POWER	BEAM	COLOUR	ACCESSORIES	MATERIAL/ FINISH	
SPL						
<ul style="list-style-type: none"> /S 1050mA INPUT (CC) SERIES WIRED /D3 2W, 12VAC INPUT (CV) PARALLEL WIRED /D7 4W, 12VAC INPUT (CV) PARALLEL WIRED /D10 6W, 12VAC INPUT (CV) PARALLEL WIRED /L/R 4W, RETRO, 10/240V DRIVER MR16 5W RETROFIT LAMP 12V MR16/R 5W RETROFIT LAMP with integral 230V Input Driver GU10 7W SORAA RETROFIT LAMP 230V* 		<ul style="list-style-type: none"> 15 25 38 60 	<ul style="list-style-type: none"> 15° 25° 38° 60° 	<ul style="list-style-type: none"> 2 2700K 3 3000K 4 4000K 39 3000K,90+ CRI 	<ul style="list-style-type: none"> HCL HEX CELL LOUVRE SNT SNOOT GG GLARE GUARD FL FROSTED LENS FM FLANGE MOUNT LKN LOCKING KNUCKLE CJK CABLE JOINT KIT 	<ul style="list-style-type: none"> BK BLACK BZ BRONZE OGR OLIVE GREEN WH WHITE WB WHITE BIRCH DG DARK GREY STAR SILVER STAR
<p>/L/S PURELED SERIES WIRED Remote constant current driver required. Individual fixtures require: 6VDC@1050mA, 1050mA maximum</p>						
<p>/L/D PURELED PARALLEL WIRED Remote 240VAC - 12V AC transformer required. Hunza integrated plug and play driver included. Input: 9-15VAC. Output: 6VDC @ D3=350mA, D7=700mA, D10=1050mA</p>						
<p>/L/R PURELED 110/240VAC RETRO DRIVER Input: 110/240VAC, 12 Watt max (included) Output: 1-18VDC, 700mA</p>						
<p>* Use with flange mount only</p>						

PRODUCT CONFIGURATION