

# Pole Spot ULTRA 35

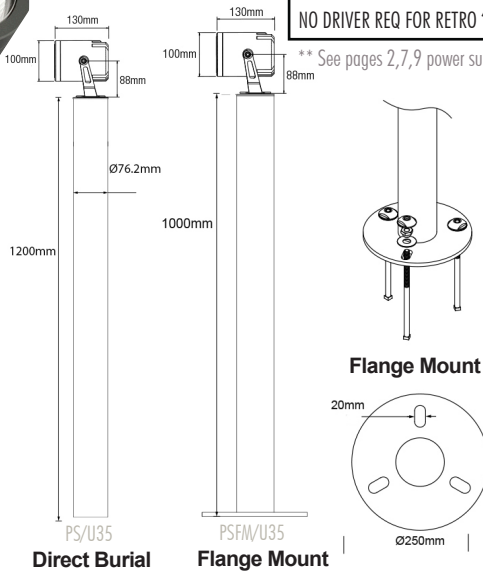
PS/U35  
PSFM/U35

## DESCRIPTION

The Ultra 35 Pole Spot has been designed to be mounted on horizontal surfaces. It can be used for wall washing, to provide directional light and to highlight architectural features and structural elements. It has a fully adjustable head allowing 360 degrees rotation and 0-120 degrees elevation and can be fixed in place using the inbuilt locking mechanism. The pole height can be specified, as required, up to 2 metres 6ft 6".

All Hunza products have an extra layer of powdercoat to ensure maximum corrosion protection.

CATEGORY  
ARCHITECTURAL ULTRA RANGE



## PURE LED

LED Chip	Cree CXA 1830 field replaceable LED, 37Vf
Output	2700 lumens @ 700mA max
Lumens Per Watt	100 lm/W
Power Consumption	26 watts
Colour Temperature	2700K, 3000K and 4000K
CRI Warm White (3000K)	80+ standard, 90+ optional
Beam Angle	13, 20, 25, 34 Degrees

\*Specification for pureled only no retrofit lamp options available for this fixture

## PHYSICAL PROPERTIES

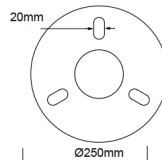
Materials	Powdercoated Aluminium
Ingress Protection	IP66
Standards	BS/EN 60598.2.2, UL 1598, CSA C22.2 No. 250.0, CE

## POWER SUPPLY OPTIONS

NO DRIVER REQ FOR RETRO 'R' ( INTEGRAL 230V IN ) | DRIVER REQ FOR SERIES WIRED ( CC FORMAT ) \*\*

\*\* See pages 2,7,9 power supplies

## Flange Mount



PRODUCT CONFIGURATION

LUMINAIRE	POWER	BEAM	COLOUR	ACCESSORIES	MATERIAL/ FINISH
PS/U35 PSFM/U35FM					
/L/S /L/R /L/DC24	700mA INPUT (CC) SERIES WIRED RETRO, 110/240V DRIVER 24VDC DRIVER	13 20 25 34	13° 20° 25° 34°	2 3 4 39	HCL SNT GG CJK DN
				2700K 3000K 4000K 3000K, 90+ CRI	HEX CELL LOUVRE SNOOT GLARE GUARD CABLE JOINT KIT DOME NUT*
					BK BZ OGR WH WB DG STR CT
					BLACK BRONZE OLIVE GREEN WHITE WHITE BIRCH DARK GREY SILVER STAR CORTEN
<b>/L/S PURELED SERIES WIRED</b> Constant current driver (included-700mA). Individual fixture require. 37VDC@ 700mA maximum. 0-10 volt dimming.		<b>/L/R PURELED 110/277VAC RETRO DRIVER</b> Constant current driver (included). Input: 240 VAC. Output: 26 watts total 37VDC@ 700mA 0-10 volt dimming.		<b>/L/D24 PURELED PARALLEL WIRED</b> Remote 240V - 24DC transformer required. Input: 24VDC. Output: 37VDC @700mA,	

\*Only available for Flange Mount version