

HUNZA™ PURE OUTDOOR LIGHTING

Pole Flood ULTRA

PROJECT: _____

TYPE: _____

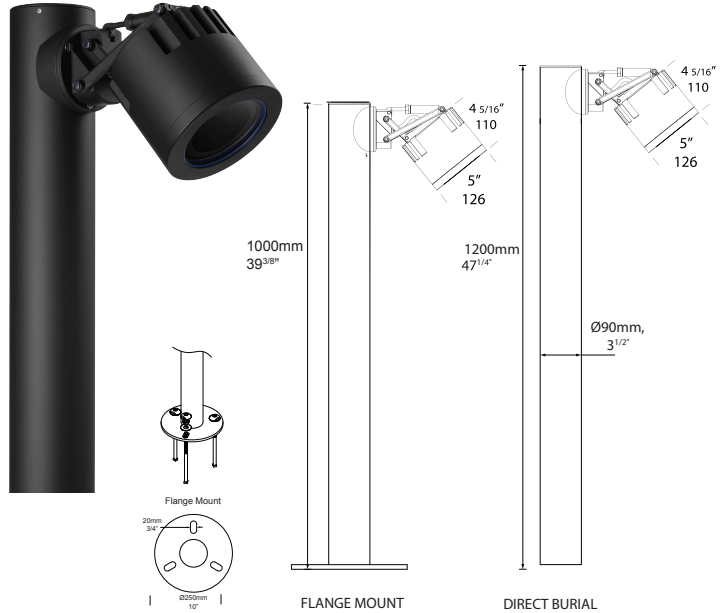
SOURCE: _____

NOTES: _____

SPECIFICATIONS



LED Chip	Cree CXA 2540 field replaceable LED board
Luminaire Output	5000 Lumens @ 1400 (52watts), Delivered from Luminaire with unobstructed beam.
Lumens Per Watt	90 Lumens minimum @ 52 watts, Delivered from Luminaire with unobstructed beam
CRI (3000K)	80 Standard, 90+ Optional
Colour Temperatures	2700K, 3000K, 4000K
Beam Angles	13, 22, 33, 51
Ingress Protection	IP66
Warranty	Electronics = 5 years Body Aluminium = 5 years
Standards	BS/EN 60598.2.2 cUL 1598 CE



*custom pole lengths range from 150mm (6") to 2000mm (6ft 8")

PRODUCT CONFIGURATION

Please fill in appropriate codes into boxes provided

Cat. No. PFL/U

Luminaire	Power	Material/ Finish	Beam	Colour	Accessories
<input type="text" value="PFL/U"/>	<input type="text"/>	<input type="text"/>	<input type="text"/>	<input type="text"/>	<input type="text"/>
<input type="text" value="PFLFM/U"/>					
Pole Flood flange mount					
<input type="text" value="SR"/>	<input type="text"/>	<input type="text"/>	<input type="text"/>	<input type="text"/>	<input type="text"/>
<input type="text" value="R"/>	<input type="text"/>	<input type="text"/>	<input type="text"/>	<input type="text"/>	<input type="text"/>
<p>SERIES REMOTE: Constant current driver (included). Fixture require 37vdc @ 1400mA maximum. 0-10 volt dimming.</p> <p>RETRO 110-277vac DRIVER: Constant current driver (included). Input: 120, 240, 277 volts. Output: 60 watts total 37vdc @ 1400mA 0-10 volt dimming.</p>					
		<p>ALUMINIUM</p> <p>EBK BLACK</p> <p>EBZ BRONZE</p> <p>EOGR OLIVE GREEN</p> <p>EWH WHITE</p> <p>EWB WHITE BIRCH</p> <p>EDG DARK GREY</p> <p>ESTAR SILVER STAR</p> <p>ECT CORTEN</p>	<p>22 22°</p> <p>33 33°</p> <p>51 51°</p> <p>13 13° Requires Lens Ring extension</p>	<p>2 2700K</p> <p>3 3000K</p> <p>4 4000K</p> <p>39 3000K, 90+ CRI</p>	<p>HCL/U HEX CELL LOUVRE</p> <p>SNT/U SNOOT</p> <p>GG/U GLARE GUARD</p> <p>GS/U GLARE SHIELD</p> <p>LF FROSTED LENS</p> <p>CJK CABLE JOINT KIT</p> <p>MC MOUNTING CAGE*</p> <p>DN DOME NUT*</p> <p>DNUSA DOME NUT USA*</p>
			<p>54mm 2^{1/8}"</p>		
*Only available for Flange Mount version					
<input type="text" value="ADDITIONAL COMMENTS:"/>					

LUMINAIRE CONSTRUCTION

CNC machined from one of the following metals:

Body - solid high corrosion resistant 127mm (5") aluminium rod.
 Base - high corrosion resistant 127mm (5") x 3.18mm (1/8") aluminium tube.
 Finished with chromate substrate, Epoxy layer and a UV resistant polyester powder coat colour.
 Fixings and Mechanism - made from 316 Stainless Steel

Colours:

Black, Bronze, Silver Star, White, Birch, Olive Green, Dark Grey, Corten.

Step Lens:

12mm (1/2") Extra clear, low iron, shatter resistant glass.
 Lifetime warranty

Gaskets:

Silicone, iron impregnated 220°C (428°F)

Cable:

Water resistant rubber

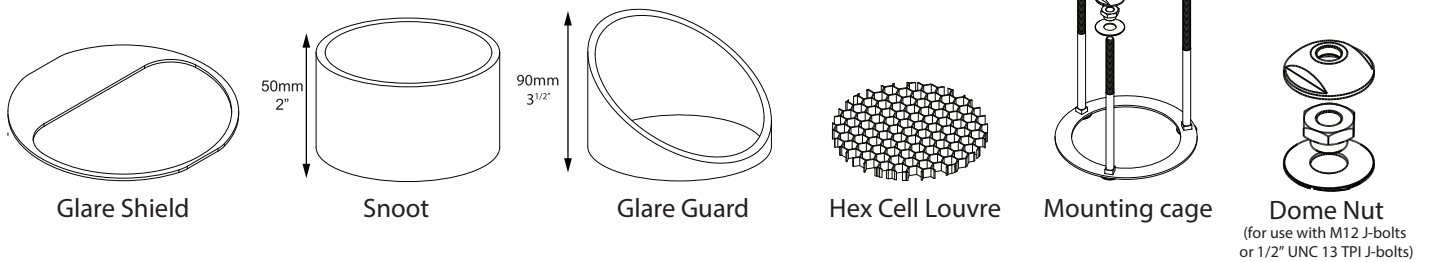
Mounting:

Pole is set directly into concrete.
 For flange mounting please refer to the Hunza website for mounting instructions.
 Dome Nut - for use with M12 J-bolts.
 Dome Nut USA - for use with 1/2" UNC 13 TPI J-bolts.

Luminaire Weight:

5kg (11lbs)- Head only

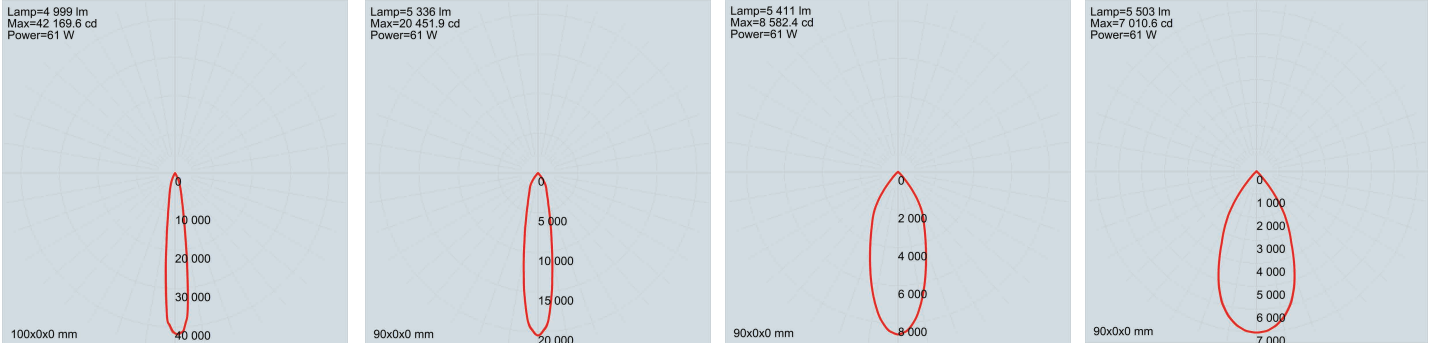
ACCESSORIES



BEAM ANGLES

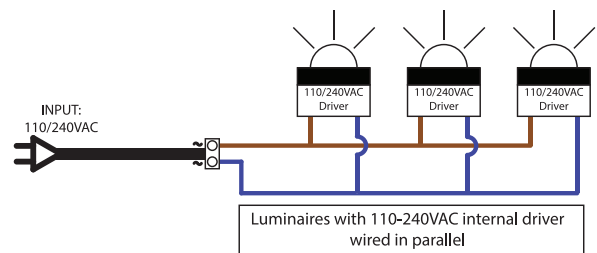
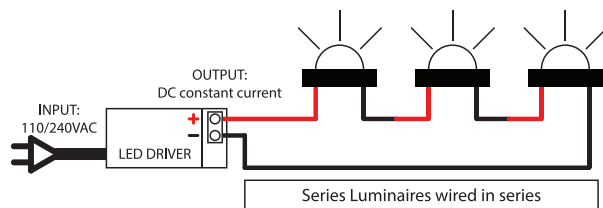
High efficiency Reflectors. Feild replaceable

IES files available for download: hunzalighting.com/downloads



WIRING GUIDE

Available for download: hunzalighting.com/downloads



Diagrams are a guide only, wire colours and polarity may change depending on fixture and country