

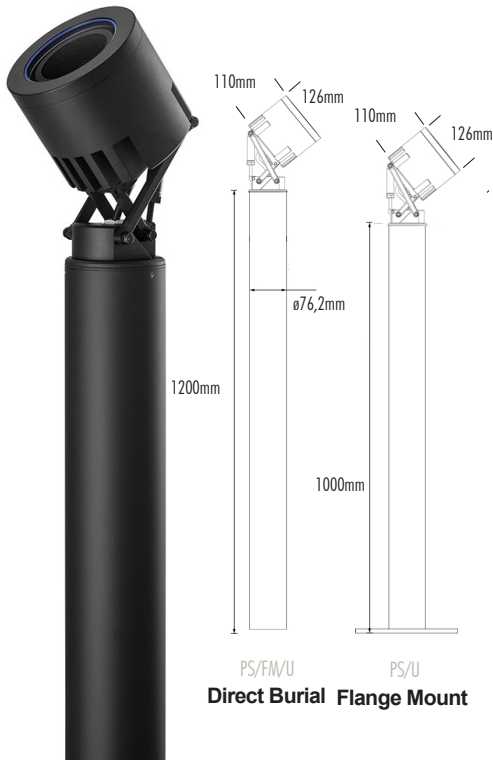
# Pole Spot ULTRA

PS/U

## DESCRIPTION

The Ultra Pole Spot is a stand alone pole fixture. It can be used for wall washing, to provide directional light, and to highlight architectural features and structural elements. It has a fully adjustable head allowing 360 degrees rotation and 0-80 degrees elevation and can then be fixed in place using the inbuilt locking mechanism. The pole height can be specified, as required, up to 2 metres 6ft 6". All Hunza products have an extra layer of powdercoat to ensure maximum corrosion protection.

CATEGORY  
ARCHITECTURAL ULTRA RANGE



## PURE LED

LED Chip	Cree CXA 2540 Plug and Play, field replaceable PCB boards, 37Vf
Output	5000 lumens @ 1400mA max
Lumens Per Watt	90 lm/W
Power Consumption	52 watts
Colour Temperature	2700K, 3000K and 4000K
CRI Warm White (3000K)	85+ standard, 90+ optional
Beam Angle	13, 22, 33, 51 Degrees

## PHYSICAL PROPERTIES

Materials	Powdercoated Aluminium
Ingress Protection	IP66
Impact Resistance	IK10
Standards	BS/EN 60598.2.2, UL1598, CE

## POWER SUPPLY OPTIONS

NO DRIVER REQ FOR RETRO 'R' ( INTEGRAL 230V IN ) | DRIVER REQ FOR SERIES WIRED ( CC FORMAT ) \*\*

\*\* Contact sales office



PRODUCT CONFIGURATION

