

Euro Twin Bar Light ETBL

DESCRIPTION

The Euro Twin Bar Light is an extra compact luminaire designed for situations where the fixture needs to be very unobtrusive or concealed. This luminaire has two individual spotlights which can be aimed in two entirely different directions and are ideal for illuminating bushes, trees or any landscape features. Each light head has a fully adjustable arm allowing 360 degree rotation and 0 to 90 degree elevation adjustment.



PURE LED	
LED Chip	Cree XHP-50-2 Plug and Play field replaceable LED board, 2x6Vf
Output	2x420 Lumens @ 700mA max
Lumens Per Watt	105lm/W
Power Consumption	8.4watts @ 700mA
Colour Temperature	2700K, 3000K and 4000K
CRI Warm White (3000K)	90 standard
Beam Angle	15, 25, 38, 60 degrees

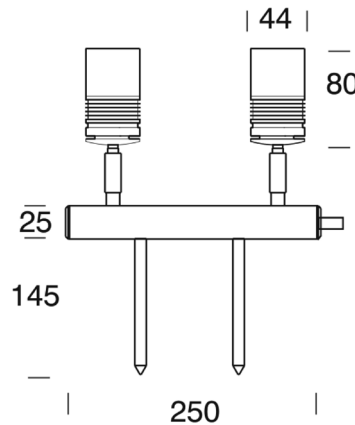
*Specification for pureled only no retrofit lamp options available for this fixture

PHYSICAL PROPERTIES	
Materials	Solid Copper or 316 Stainless Steel
Ingress Protection	IP66
Standards	AS/NZS 61046, UL 1838, 2108, CSA C22.2 No. 250.7, 250.0-08, CE

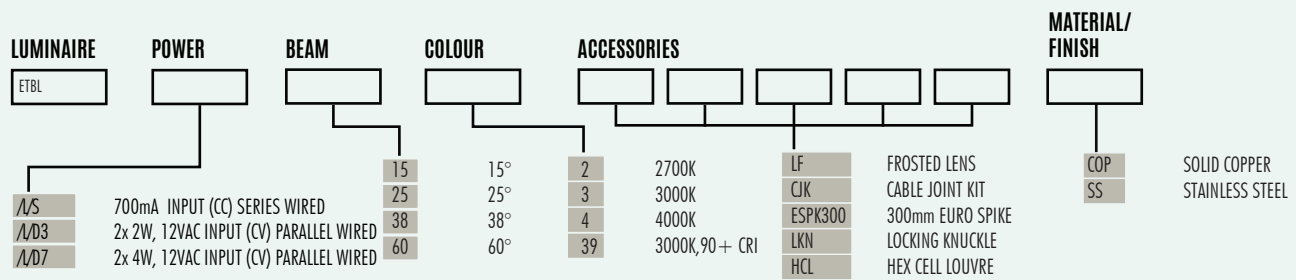
POWER SUPPLY OPTIONS	
DRIVER REQ FOR SERIES WIRED (CC FORMAT) ** TRANSFORMER REQ FOR PARALLEL WIRED (CV FORMAT)***	

** See pages 2,6-7,9 power supplies

*** See pages 11-12 power supplies



CATEGORY
GROUND AND DECK



<p>/L/S PURELED SERIES WIRED</p> <p>Remote constant current driver required.</p> <p>Individual fixtures require: 6VDC@700mA, 700mA maximum</p>	<p>/L/D PURELED PARALLEL WIRED</p> <p>Remote 240VAC-12VAC transformer required. 2x Hunza integrated plug and play driver included.</p> <p>Input: 9-15VAC. Output: 6VDC @ D3=350mA, D7=700mA</p>
---	--

PRODUCT CONFIGURATION