

# Wall Spot ULTRA 35

WS/U35

## DESCRIPTION

The Ultra 35 Wall Spot has been designed to be mounted on vertical surfaces. It can be used for wall washing, to provide directional light, and to highlight architectural features and structural elements. It has a fully adjustable head allowing 360 degrees rotation and 0-120 degrees elevation and can then be fixed in place using the inbuilt locking mechanism. All Hunza Ultra products have an extra powdercoat layer to ensure maximum corrosion protection.

## PURE LED

LED Chip	Cree CXA 1830 field replaceable LED, 37Vf
Output	2700 lumens @ 700mA max
Lumens Per Watt	100 lm/W
Power Consumption	26 Watts @700mA
Colour Temperature	2700K, 3000K and 4000K
CRI Warm White (3000K)	80+ standard, 90+ optional
Beam Angle	13, 20, 25, 34 Degrees

\*Specification for pureled only no retrofit lamp options available for this fixture

## PHYSICAL PROPERTIES

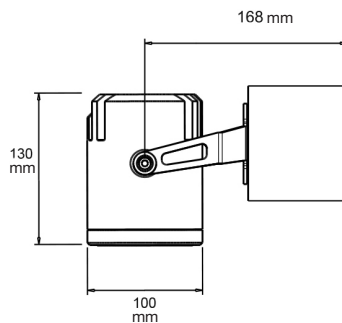
Materials	Powdercoated Coated Aluminium
Ingress Protection	IP66
Impact Resistance	IK10
Standards	BS/EN 60598.2.2, UL 1598, CSA C22.2 No. 250.0, CE

## POWER SUPPLY OPTIONS

NO DRIVER REQ FOR RETRO 'R' ( INTEGRAL 230V IN ) | DRIVER REQ FOR SERIES WIRED ( CC FORMAT ) \*\*

\*\* See pages 2,7,9 power supplies

CATEGORY  
WALL MOUNT



PRODUCT CONFIGURATION

