

# Pillar Light

PIL

## DESCRIPTION

The Pillar Light illuminates both upwards and downwards, giving columns, gateway pillars and entrances a dramatic effect. This fitting also comes in a Retro version. This is a 110-240 volts mains option, suited for installation where a mounting transformer is a problem. For example, a brick wall where there is only the cable protruding out of the wall and it is not an option to recess the transformer. The base increases in size to accommodate for the encapsulated IP66 dimmable transformer.



CATEGORY  
WALL MOUNT

## PURE LED

LED Chip	Cree XHP-50-2 Plug and Play, field replaceable LED board, 2x6Vf
Output	2x600 lumens @ 1050mA max
Lumens Per Watt	100lm/W
Power Consumption	12 watts @1050mA
Colour Temperature	2700K, 3000K and 4000K
CRI Warm White (3000K)	90 standard
Beam Angle	15, 25, 38, 60 degrees

\*Specification for pureled only for retrofit lamp options please see alternative lamps page.

## PHYSICAL PROPERTIES

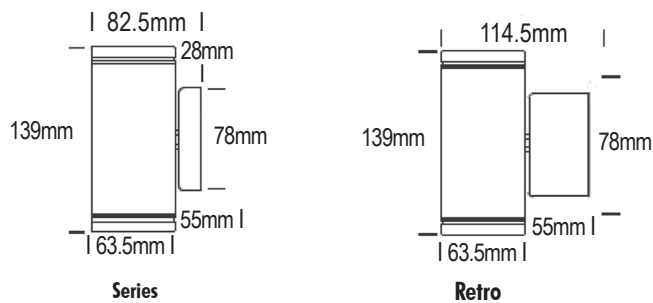
Materials	Powdercoated Aluminium, Solid Copper or 316 Stainless Steel
Ingress Protection	IP66
Standards	AS/NZS 61046, UL1838, CSA C22.2 No. 250.7

## POWER SUPPLY OPTIONS

DRIVER REQ FOR SERIES WIRED ( CC FORMAT ) \*\* | TRANSFORMER REQ FOR PARALLEL WIRED ( CV FORMAT )\*\*\*  
NO DRIVER REQ FOR RETRO 'R' ( INTEGRAL 230V IN ) | NO DRIVER REQ FOR GU10

\*\* See pages 3-5,7,9 power supplies

\*\*\* See pages 11-12 power supplies



Series

Retro

## LUMINAIRE

PIL

## POWER

/L/S	1050mA INPUT (CC) SERIES WIRED
/L/D3	2x2W, 12VAC INPUT (CV) PARALLEL WIRED
/L/D7	2x4W, 12VAC INPUT (CV) PARALLEL WIRED
/L/D10	2x6W, 12VAC INPUT (CV) PARALLEL WIRED
/L/R	4x4W, RETRO, 110/240V DRIVER
MR16	2x12V 5W RETROFIT LAMP
MR16/R	2x5W RETROFIT LAMP with integral 230V Driver
GU10	2x7W SORAA RETROFIT LAMP 230V

## BEAM

15
25
38
60

## COLOUR

15°
25°
38°
60°

## ACCESSORIES

2	2700K
3	3000K
4	4000K

HCL	HEX CELL LOUVRE
SNT	SNOOT
GG	GLARE GUARD
FL	FROSTED LENS
CHK	CABLE JOINT KIT

## MATERIAL/ FINISH

BK	BLACK
BZ	BRONZE
OGR	OLIVE GREEN
WH	WHITE
WB	WHITE BIRCH
DG	DARK GREY
STAR	SILVER STAR
CT	CORTEN
COP	SOLID COPPER
SS	STAINLESS STEEL

## /L/S PURELED SERIES WIRED

Remote constant current driver required.  
Individual fixtures require:  
2x6VDC@1050mA,  
1050mA maximum

## /L/D PURELED PARALLEL WIRED

Remote 240VAC - 12VAC transformer required. Hunza integrated plug and play driver included.  
Input: 9-15VAC.  
Output: 6VDC @ D3=350mA,  
D7=700mA, D10=1050mA

## /L/R PURELED 110/240VAC RETRO DRIVER

Input: 110/240VAC, 12 Watt max (included)  
Output: 1-18VDC, 700mA

## PRODUCT CONFIGURATION