

Euro Twin Pole

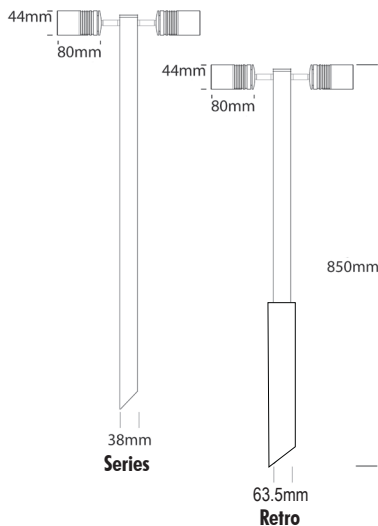
ETPL

DESCRIPTION

The Euro Twin Pole Light is an extra compact luminaire, designed for situations where the fixture needs to be unobstructive or concealed. Each spotlight can be aimed in any direction, ideal for path lighting as well as tree lighting, or the heads may be aimed downward to eliminate vertical light. This luminaire has fully adjustable arms allowing 360 degree rotation and 0 - 90 degree elevation with a built-in glare guard.



CATEGORY
POLE MOUNTED



PURE LED

LED Chip	Cree XHP-50-2 Plug and Play field replaceable LED board, 2x6Vf
Output	2x420 Lumens @ 700mA
Lumens Per Watt	105lm/W
Power Consumption	8.4watts @ 700mA
Colour Temperature	2700K, 3000K and 4000K
CRI Warm White (3000K)	90 standard
Beam Angle	15, 25, 38, 60 degrees

*Specification for pureled only, there is no other alternative lamp sources for this fixture.

PHYSICAL PROPERTIES

Materials	Solid Copper or 316 Stainless Steel
Ingress Protection	IP56/IP66
Standards	AS/NZS 61046, UL 1838, 2108, CSA C22.2 No. 250.7, 250.0-08, CE

POWER SUPPLY OPTIONS

DRIVER REQ FOR SERIES WIRED (CC FORMAT) ** | TRANSFORMER REQ FOR PARALLEL WIRED (CV FORMAT)***
NO DRIVER REQ FOR RETRO 'R' (INTEGRAL 230V IN)

** See pages 2,6-7,9 power supplies

*** See pages 11-12 power supplies

PRODUCT CONFIGURATION

LUMINAIRE	POWER	BEAM	COLOUR	ACCESSORIES	MATERIAL/ FINISH				
ETPL									
/L/S	700mA INPUT (CC) SERIES WIRED	15	15°	2	2700K	FL	FROSTED LENS	COP	SOLID COPPER
/L/D3	2x 2W, 12VAC INPUT (CV) PARALLEL WIRED	25	25°	3	3000K	CJK	CABLE JOINT KIT	SS	STAINLESS STEEL
/L/D7	2x 4W, 12VAC INPUT (CV) PARALLEL WIRED	38	38°	4	4000K	LKN	LOCKING KNUCKLE		
/L/R	RETRO, 110/240V DRIVER	60	60°	39	3000K,90+ CRI	HCL	HEX CELL LOUVRE		
						FM	FLANGE MOUNT		

/L/S PURELED SERIES WIRED
Remote constant current driver required.
Individual fixtures require:
2x6VDC@700mA,
700mA maximum

/L/D PURELED PARALLEL WIRED
Remote 240VAC - 12V AC transformer required. Hunza integrated plug and play driver included.
Input: 9-15VAC.
Output: 6VDC @ D3=350mA,
D7=700mA,

/L/R PURELED 110/240VAC RETRO DRIVER
Input: 110/240VAC, 12 Watt max (included)
Output: 1-18VDC, 700mA