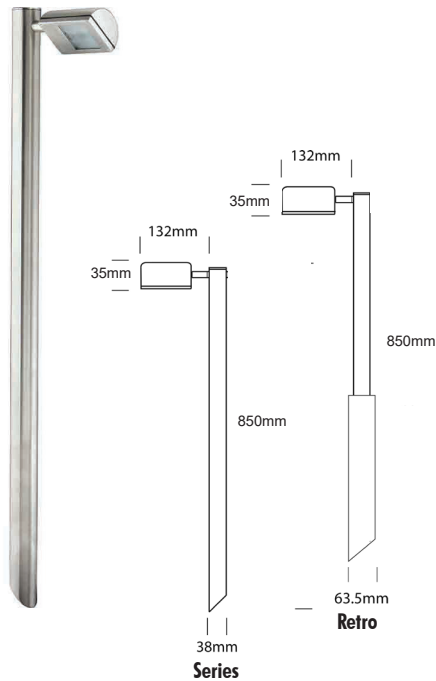


# Border Light

BL

## DESCRIPTION

The Border Light is ideal for path lighting, giving a wide spread of light with no upward projection. The fully adjustable arm allows 360 degree rotation and 0-90 degree elevation. Each luminaire is supplied with a frosted glass lens to further reduce glare.



PURE LED	
LED Chip	Cree XPG-3 Plug and Play, field replaceable PCB board, 3Vf
Output	120 Lumens @ 700mA max
Lumens Per Watt	60lm/W
Power Consumption	2.1watts
Colour Temperature	2700K, 3000K and 4000K
CRI Warm White (3000K)	90 standard
Beam Angle	100 degrees

\*Specification for pureled only, there is no other alternative lamp sources for this fixture.

PHYSICAL PROPERTIES	
Materials	Powdercoated Aluminium, Solid Bronze with Copper or 316 Stainless Steel
Ingress Protection	IP56/IP66
Standards	AS/NZS 61046, UL 1838, 2108, CSA C22.2 No. 250.7, 250.0-08, CE

POWER SUPPLY OPTIONS	
DRIVER REQ FOR SERIES WIRED ( CC FORMAT ) **	TRANSFORMER REQ FOR PARALLEL WIRED ( CV FORMAT )***
NO DRIVER REQ FOR RETRO 'R' ( INTEGRAL 230V IN )	

\*\* See pages 2,6-7,9 power supplies

\*\*\* See pages 11-12 power supplies

CATEGORY  
POLE MOUNTED

LUMINAIRE	POWER	BEAM	COLOUR	ACCESSORIES	MATERIAL/ FINISH
BL					
/L/S	700mA INPUT (CC) SERIES WIRED	100	100°	2 2700K	BK BLACK
/L/B3	1W, 12VAC INPUT (CV) PARALLEL WIRED			3 3000K	BZ BRONZE
/L/B7	2W, 12VAC INPUT (CV) PARALLEL WIRED			4 4000K	OGR OLIVE GREEN
/L/R	RETRO, 110/240V DRIVER			39 3000K,90+ CRI	WH WHITE
					WB WHITE BIRCH
					DG DARK GREY
					STAR SILVER STAR
					CT CORTEN
					SS STAINLESS STEEL
					SBZ SOLID BRONZE WITH COPPER

<b>/L/S PURELED SERIES WIRED</b> Remote constant current driver required. Individual fixtures require: 3VDC@700mA, 700mA maximum	<b>/L/B PURELED PARALLEL WIRED</b> Remote 240V to 8-24VAC transformer required. Buck Bullet Driver on Flex. Input: 8-24VAC. Output: 3VDC @ B3=350mA, B7=700mA	<b>/L/R PURELED 110/240VAC RETRO DRIVER</b> Input: 110/240VAC, 12 Watt max (included) Output: 1-18VDC, 700mA
--	--	--

PRODUCT CONFIGURATION