

Cube Eave

CEAVE

DESCRIPTION

The Cube Eave is a contemporary recessed downlight, ideal for installation in eaves, soffits, entrance ways, verandahs, carports or covered decks. It can also be used in bathrooms, kitchens or where moisture transfer or decibel rating is a minimum requirement.

CATEGORY
CEILING MOUNT



PURE LED	
LED Chip	Cree XHP-3 Plug and Play, field replaceable LED board, 3Vf
Output	200 lumens @ 700mA max
Lumens Per Watt	66lm/W
Power Consumption	2.1 Watts @700mA
Colour Temperature	2700K, 3000K and 4000K
CRI Warm White (3000K)	90 standard
Beam Angle	N/A

*Specification for pureled only, there are no other alternative lamp sources for this fixture.

PHYSICAL PROPERTIES

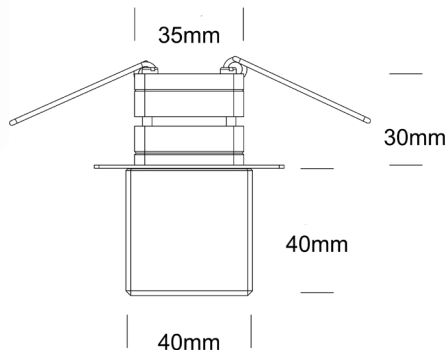
Materials	Powdercoated Aluminium
Ingress Protection	IP66
Standards	AS/NZS 61046, CE

*Please note, when using on vertical surface this fitting is more pleasant @350mA or below when mounted at eye level

POWER SUPPLY OPTIONS

DRIVER REQ FOR SERIES WIRED (CC FORMAT) **

** See pages 2,6-9 power supplies



PRODUCT CONFIGURATION

LUMINAIRE

CEAVE

POWER

/L/S 700mA INPUT (CC) SERIES WIRED

/L/S PURELED SERIES WIRED

Remote constant current driver required.
Individual fixtures require: 3VDC@700mA.
700mA maximum.

COLOUR

- 2 2700K
- 3 3000K
- 4 4000K

ACCESSORIES

CKK CABLE JOINT KIT

MATERIAL/ FINISH

- BK BLACK
- BZ BRONZE
- OGR OLIVE GREEN
- WH WHITE
- WB WHITE BIRCH
- DG DARK GREY
- STAR SILVER STAR
- CT CORTEN