

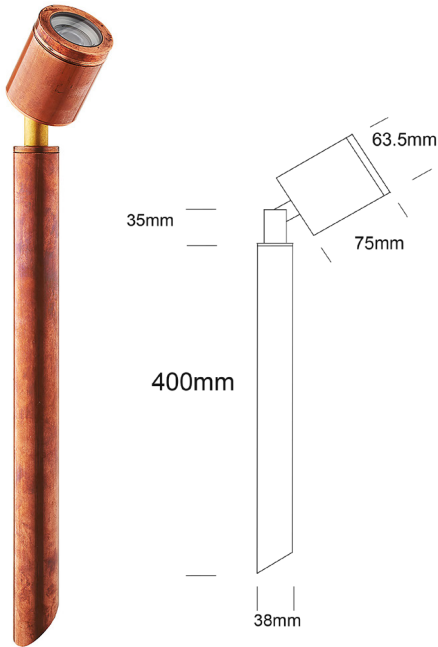
Pole Spot

PS

DESCRIPTION

The Pole Spot has a single spotlight which has been designed for uplighting and cross lighting. This luminaire is best suited to illuminate larger bushes and shrubs, as well as architectural features. The fitting has a fully adjustable head which allows for 360 degree rotation, as well as a high degree of elevation.

CATEGORY
POLE MOUNTED



PURE LED

LED Chip	Cree XHP-50-2 Plug and Play field replaceable LED board, 6Vf
Output	600 Lumens @ 1050mA max
Lumens Per Watt	100lm/W
Power Consumption	6 watts @ 1050mA
Colour Temperature	2700K, 3000K and 4000K
CRI Warm White (3000K)	90 standard
Beam Angle	15, 25, 38, 60 degrees

*Specification for pureled only, for retrofit lamp options please see alternative lamps page.

PHYSICAL PROPERTIES

Materials	Powdercoated Aluminium, Solid Copper or 316 Stainless Steel
Ingress Protection	IP56/IP66
Standards	AS/NZS 61046, UL 1838, 2108, CSA C22.2 No. 250.7, 250.0-08, CE

POWER SUPPLY OPTIONS

DRIVER REQ FOR SERIES WIRED (CC FORMAT) ** | TRANSFORMER REQ FOR PARALLEL WIRED (CV FORMAT)***
NO DRIVER REQ FOR RETRO 'R' (INTEGRAL 230V IN) | NO DRIVER REQ FOR GU10

** See pages 3-5,7,9 power supplies

*** See pages 11-12 power supplies

LUMINAIRE

PS/L

/L/S

/L/D3

/L/D7

/L/D10

/L/R

MR16

GU10

/L/S PURELED SERIES WIRED

Remote constant current driver required.
Individual fixtures require:
6VDC@1050mA,
1050mA maximum

POWER

1050mA INPUT (CC) SERIES WIRED

2W, 12VAC INPUT (CV) PARALLEL WIRED

4W, 12VAC INPUT (CV) PARALLEL WIRED

6W, 12VAC INPUT (CV) PARALLEL WIRED

4W, RETRO, 10/240V DRIVER

5W RETROFIT LAMP 12V

7W SORAA RETROFIT LAMP 230V*

* Use with flange mount only

BEAM

15

25

38

60

COLOUR

15°

25°

38°

60°

ACCESSORIES

2

3

4

39

2700K

3000K

4000K

3000K,90+ CRI

HCL

SNT

GG

FL

FM

LKN

CJK

HEX CELL LOUVRE

SNOOT

GLARE GUARD

FROSTED LENS

FLANGE MOUNT

LOCKING KNUCKLE

CABLE JOINT KIT

MATERIAL/ FINISH

BK

BZ

OGR

WH

WB

DG

STAR

CT

COP

SS

BLACK

BRONZE

OLIVE GREEN

WHITE

WHITE BIRCH

DARK GREY

SILVER STAR

CORTEN

SOLID COPPER

STAINLESS STEEL

ALUMINIUM

ALUMINIUM

ALUMINIUM

ALUMINIUM

ALUMINIUM

ALUMINIUM

ALUMINIUM

ALUMINIUM

ALUMINIUM

ALUMINIUM

ALUMINIUM

ALUMINIUM

ALUMINIUM

ALUMINIUM

ALUMINIUM

ALUMINIUM

ALUMINIUM

ALUMINIUM

ALUMINIUM

ALUMINIUM

ALUMINIUM