

Snorkel ECONOMY

Snorkelift[®] PRO-66

Designed for operator convenience and safety, these articulating, telescoping work platforms are ideal for up-out-over-down platform placement in a wide variety of construction or maintenance applications.



S P E C I F I C A T I O N S

Working Height	72'	21.9 m
Platform		
Height	66'	20.1 m
Capacity	500 lbs.	227 kg
Size	30" x 60"	76 x 152 cm
Construction	Steel	
Boom Construction		
Base Boom	Steel	
Telescopic Booms and Jib Booms	High strength, aluminum alloy	
Boom Extension		
	Double acting hydraulic cylinder and dual wire rope cables	
Boom Guides	Lubrication free, ultra high molecular weight polyethylene	
Pivot Pin Bearing	Lubrication free, composite material	
Horizontal Reach	56'	17.1 m
Elevation		+72° / -1°
Hose & Wiring Extension	Telescoping housing attached to sides of booms	
Turntable Rotation	360° continuous	
Power Source	Gas or Diesel engine standard LPG/Dual Fuel optional	
Fuel Capacity	40 U.S. gal.	151.4 L
Hydraulic System Capacity	35 U.S. gal.	132.5 L
Maximum Drive Speeds		
Booms Stowed	3 mph (max.)	4.83 kph
Booms Raised	1 mph (max.)	1.61 kph
Gradeability		25%
Turning Radius (Inside)	15' 5"	4.7 m
Stowed Height	8' 9"	2.7 m
Width	7' 11½"	2.4 m
Stowed Length	33'	10.1 m
Wheel Base	10'	3.0 m
Tires	15" x 19.5"	38 x 50 cm
Type	foam filled, 14 ply rating-front, 12 ply rating-drive	
Weight (approx.)	25,000 lbs.	11,340 kg

- 6' articulated jib boom
- Fully proportional ramp-on controls
- Polyurethane filled tires
- 180° hydraulic platform rotation
- 12 volt battery operated emergency power
- Manual bleed down valve
- Driveable at full height
- 5° tilt alarm
- 110 volt electrical wiring to platform
- Aluminum alloy upper booms
- Hour meter and ammeter
- 60 month warranty

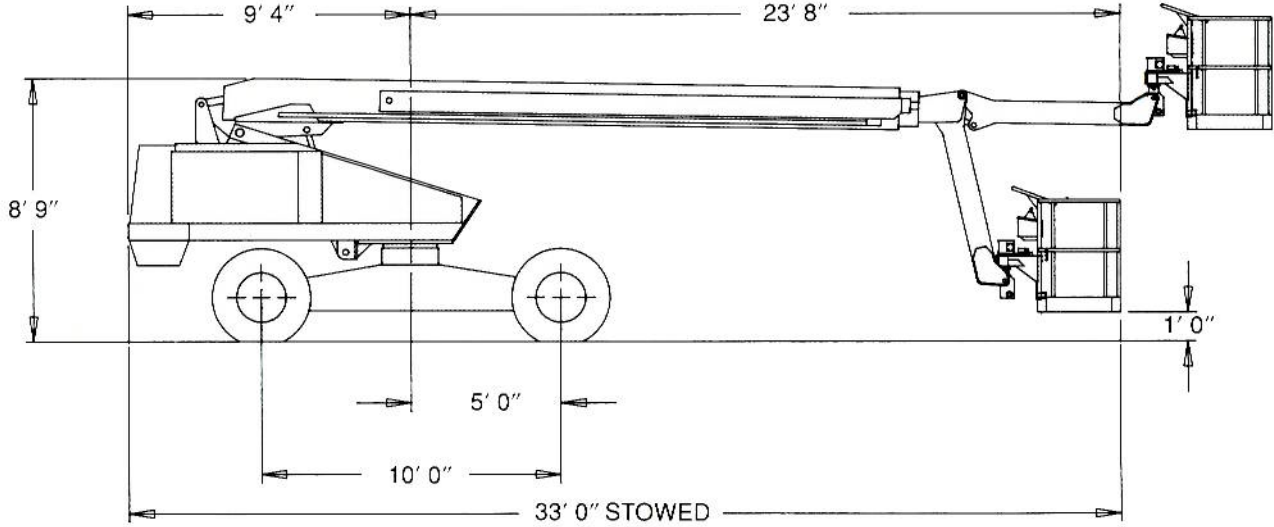
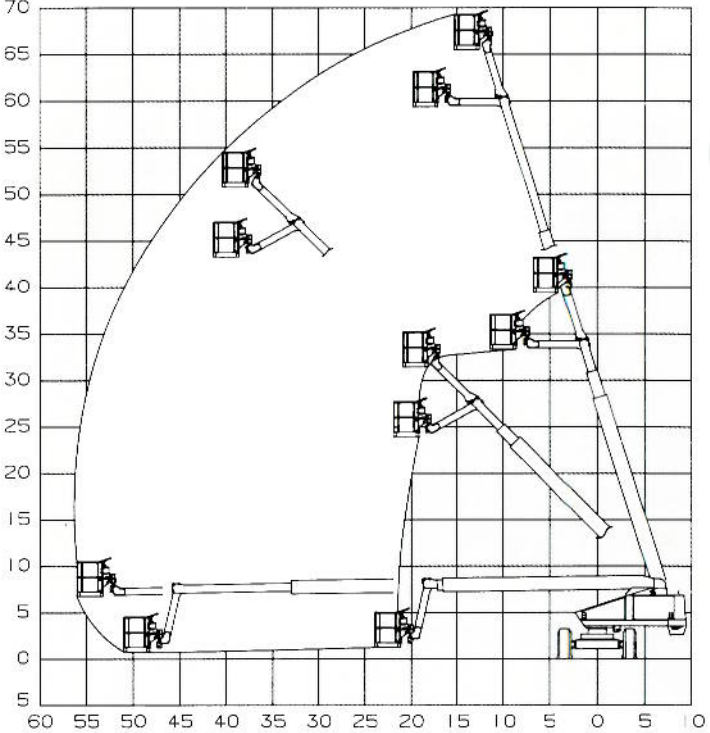
Snorkel ECONOMY

Snorkelift[®] PRO-66

Articulating Jib BOOMS

Optional Equipment

- Aluminum platform
- Dual fuel power
- 30" x 60" (76 x 152 cm)
- LP gas only power
- 30" x 92" (76 x 246 cm)
- Sandblast protection kit
- 4 wheel drive



DANGER: Models described in this brochure are NON-INSULATED and do not provide electrocution protection from contact with or close proximity to energized conductors which is pointed out on decals and placards attached to the machine.

Only qualified and trained operators are to be authorized to use and operate a work platform.

Aerial work platforms must be elevated only on a firm, level surface.

Products in this brochure comply with applicable ANSI Standards. This literature is for illustrative purposes only. Consult Operating/Maintenance and Parts Manuals for proper procedures. Specifications may vary and are subject to change without notice or obligation.

Sales, Rental, Service by:

Snorkel ECONOMY

A FIGGIE INTERNATIONAL COMPANY

P.O. Box 4065, St. Joseph, MO 64504-0065
 Phone: (816) 364-0317
 FAX: (816) 364-0380