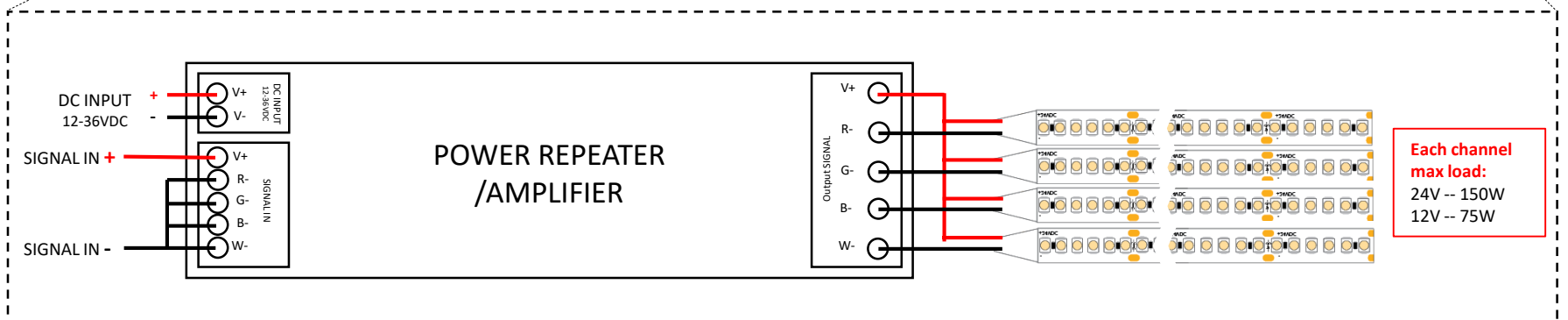
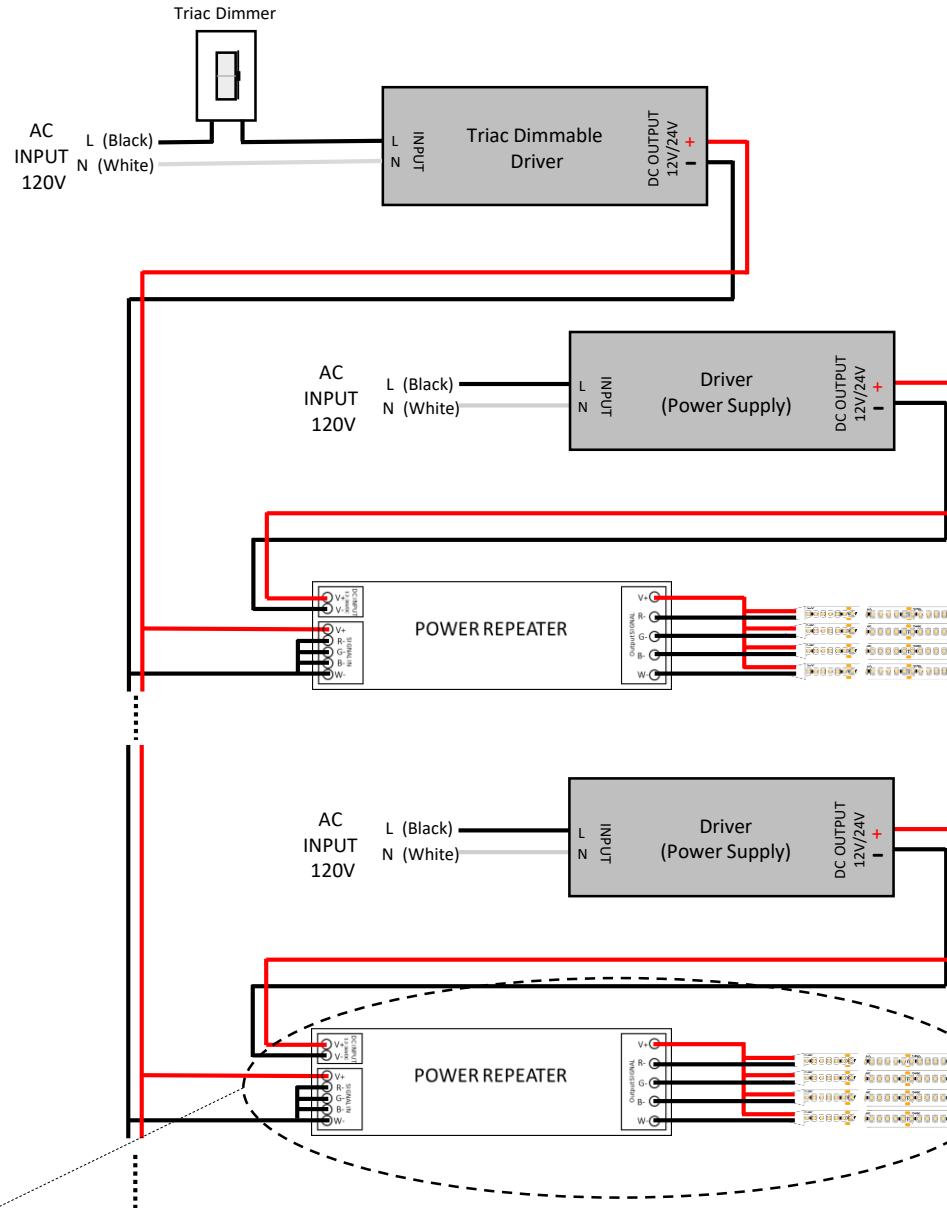




# Triac Dimmer Low Voltage LED Light Project Wire Diagram

Lutron full range Compatible dimmer:

- SCL-153P Maximum load for LED 150W
- DVCL-153P Maximum load for LED 150W
- MRF2-6CL Maximum load for LED 150W
- CTCL-153P Maximum load for LED 150W



How To Use 4 Channels Power Repeater For Single Color LED Strip Light