

COMMERCIAL

**LOWER A/C ENERGY COSTS BY UP TO 40%**

**SUNTRAC  
SOLAR**  
AIR & HEAT

*We didn't invent solar A/C,  
we perfected it.*

U.S. PATENT NUMBER #7665459



**INTEGRATES WITH YOUR  
NEW EQUIPMENT  
INSTALLATIONS, AND  
EXISTING SYSTEM UPGRADES**

- Package/Split Units
- Mini/Multi Split Units
- Chiller Systems
- Energy Recovery Units
- Dehumidification Units
- Refrigeration Units

**COMPATIBLE WITH MOST  
HIGH EFFICIENT HVAC  
EQUIPMENT**

- Variable Speed
- Multi-Stage
- Variable Capacity



**SUNTRAC SMARTPANEL™  
FEATURES**

- RiteTemp™ Temperature Control
- Scalable To Over 500 Tons
- Simple Installation
- 12v DC Power
- Self-contained Panel
- 5 Year Warranty



**Copeland**  
brand products

**KMC**  
CONTROLS

**EMERSON**  
Climate Technologies

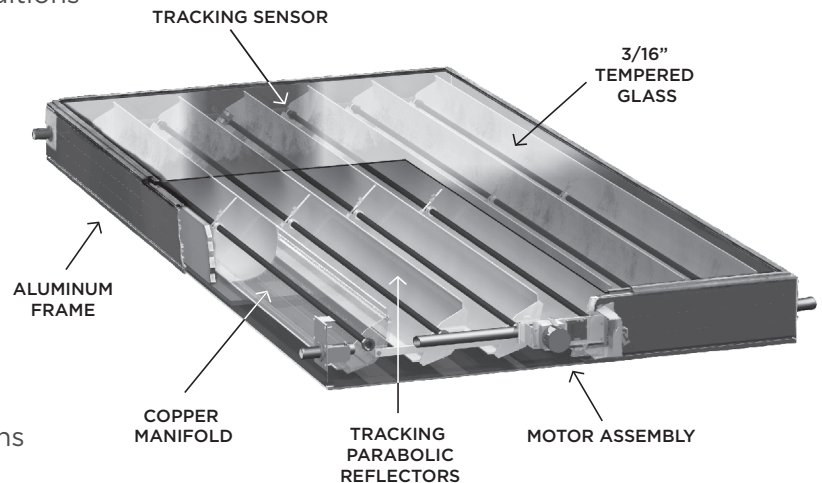
# SUNTRAC SOLAR THERMAL SMARTPANEL

SUNTRAC  
SOLAR  
AIR & HEAT

*We didn't invent solar A/C,  
we perfected it.*

## FEATURES

- RiteTemp™ system eliminates stagnation conditions & controls high temperature limits
- Tracks daily east-to-west & returns to east at the end of day
- Designed for 25-year life
- Low voltage for safety
- Powder coated to resist harsh environments
- Removable glass top for easy access
- Tracking controller & brushless stepper motor are serviceable through motor cover
- Scalable for side-by-side mounting applications
- Tracking controller & brushless stepper motor are serviceable through motor cover



## CONSTRUCTION & SPECIFICATIONS

<b>Collector Case/Frame</b>	Aluminum enclosure constructed from .063" 5052-H32 aluminum
<b>Cover</b>	Tempered plate glass, 3/16" thick (0.1875", 0.476 cm)
<b>Cover Sealing</b>	EPDM extruded U gasket, vulcanized corners
<b>Insulation</b>	0.5" (1.27 cm) thick insulation
<b>Capacity</b>	Up to 7.5 tons/90,000 BTU's/26 kW/40 hp of cooling & heating per collector
<b>Net Aperture Area</b>	Reflector area: 4' x 8' = 32 sq. ft.
<b>Weight/Dimensions</b>	190 pounds/86 kg, 96" x 48" x 7" (2.44m x 1.22m x 17.8cm)
<b>Concentrators</b>	Extruded aluminum parabolic reflector; Metalized aluminum foil mirror (for reflector surface); Teflon bearings for high temperatures and low friction
<b>Absorber</b>	Copper tubing: 5/8" ACR (12.7 cm), 1- 1/8" ACR (2.8575 cm) Black selective paint: absorptivity .92/.96, emissivity .2/.4
<b>Sun Trackers</b>	Two shaded phototransistors and brushless stepper motor Brushless stepper motor: 12vdc, 5W
<b>Mounting Provisions</b>	Recessed lip on frame for industry standard fasteners

SUNTRACSOLAR.COM / SALES +1 (480) 999-6091 EXT. 810