

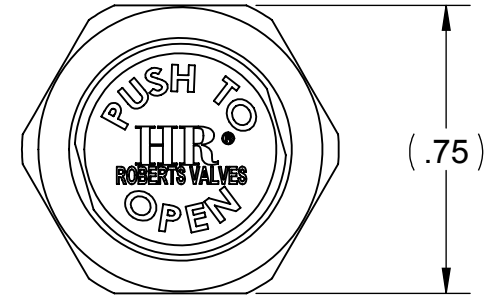
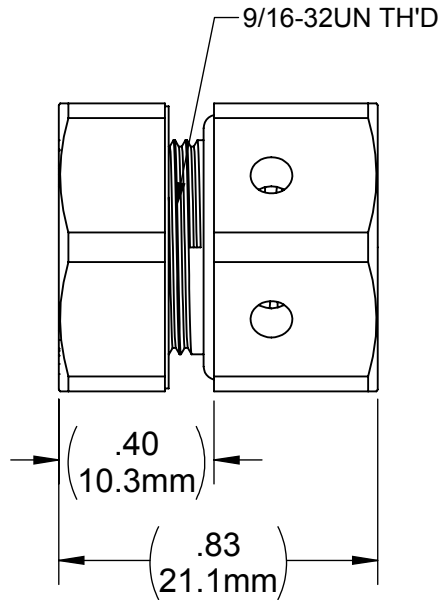
DRAWING NO.
C750PU

REV
C

Customer Drawing

REVISION HISTORY

REV	DESCRIPTION (ECO)	DATE	APPROVED
B	ECO 6095	5/16/14	A.K.
C	UPDATE ORING CALLOUT TO READ NEOPRENE ECO 6588	7/20/15	LF



- NOTES:
1. PART NUMBER: 750PU
 2. DFARS 252.225.7009 or 252.225.7014 COMPLIANT.
 3. ROHS COMPLIANT.
 4. CRITICAL DIMENSIONS ARE CIRCLED AND SUBJECT TO INSPECTION.
 5. DIMENSIONS IN PARENTHESES ARE FOR REFERENCE ONLY.
 6. ALL DIMENSIONS ARE IN INCHES WITH NOMINAL DIMENSION IN METRIC BELOW.

DRAWN BY dcoughlin	DATE 9/3/2014		Halkey-Roberts	
APPROVED BY	DATE			
MATERIAL		TITLE PUSH OPEN VALVE		
FINISH		SIZE A	DRAWING NO. C750PU	REV C
MOLDED PARTS: GATES, PARTING LINES, AND FLASH PER QUALITY CRITERIA		SCALE 2:1	DO NOT SCALE DRAWING	SHEET 1 OF 2
PROPRIETARY AND CONFIDENTIAL THE INFORMATION CONTAINED IN THIS DRAWING IS SOLE PROPERTY OF HALKEY-ROBERTS CORPORATION ST. PETERSBURG, FL. ANY REPRODUCTION IN PART OR AS A WHOLE WITHOUT THE WRITTEN PERMISSION OF HALKEY-ROBERTS CORPORATION IS PROHIBITED.		UNLESS OTHERWISE SPECIFIED: DIMENSIONS ARE IN INCHES TOLERANCES: ANGULAR: ± 1° TWO PLACE DECIMAL ± .01 THREE PLACE DECIMAL ± .005	THIRD ANGLE PROJECTION 	

DRAWING NO.
C750PU

REV
C


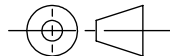
Customer Drawing

REVISION HISTORY

REV	DESCRIPTION (ECO)	DATE	APPROVED
	SEE SHEET 1.		

BILL OF MATERIAL:

VALVE BODY	STEM	O-RING	OUTER O-RING	SPRING	PUSH BUTTON	LABEL	NUT
ALUMINUM	ALUMINUM	BUNA-N	NEOPRENE	STL' STEEL	ALUMINUM	MYLAR	ALUMINUM

DRAWN BY dcoughlin	DATE 8/10/2015	 Halkey-Roberts
APPROVED BY	DATE	
MATERIAL		TITLE PUSH OPEN VALVE
FINISH		SIZE A
UNLESS OTHERWISE SPECIFIED: DIMENSIONS ARE IN INCHES TOLERANCES: ANGULAR: ± 1° TWO PLACE DECIMAL ± .01 THREE PLACE DECIMAL ± .005	THIRD ANGLE PROJECTION 	DRAWING NO. C750PU
		SCALE 2:1
		SHEET 2 OF 2

MOLDED PARTS:
GATES, PARTING LINES, AND FLASH PER QUALITY CRITERIA

PROPRIETARY AND CONFIDENTIAL
THE INFORMATION CONTAINED IN THIS DRAWING IS SOLE PROPERTY OF HALKEY-ROBERTS CORPORATION ST. PETERSBURG, FL. ANY REPRODUCTION IN PART OR AS A WHOLE WITHOUT THE WRITTEN PERMISSION OF HALKEY-ROBERTS CORPORATION IS PROHIBITED.