

Instructions for Use V90125YMK Manual Cap Conversion for Manufacturers and Users



Cautions:

- Carefully follow the directions below to maintain the inflator integrity.

Installation of Manual Cap:

1. Compress manual cap ring and slide through the hole on the cap label.
2. Slide the cap ring over the inflator cap with the cap facing down (illustration #1).
3. Twist cap clockwise and push the cap over the automatic inflator cap till the manual cap can go on no further (illustration #2).
4. Remove cylinder, inspect cylinder face (illustration #3). If cylinder face has no holes then replace firmly in inflator. Do not over tighten & make sure green indicator clip is in place (illustration 4). See steps 8 & 9 of the V90000 Service Instructions for complete cylinder instructions.
5. During the repacking of the vest place the manual conversion tag so that it is visible outside of the vest.

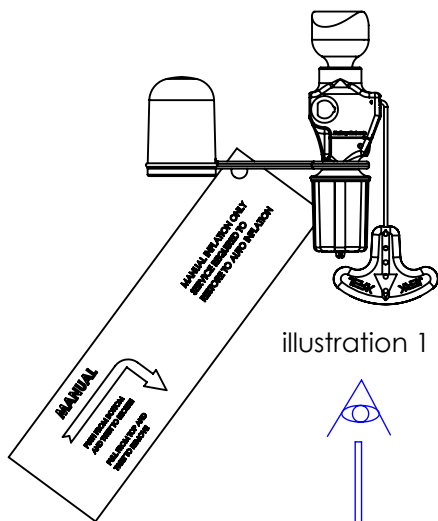


illustration 1



illustration 3

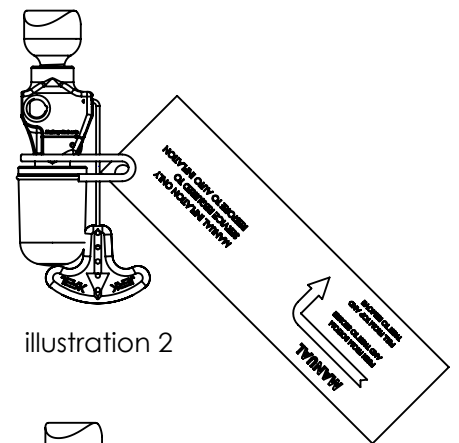


illustration 2

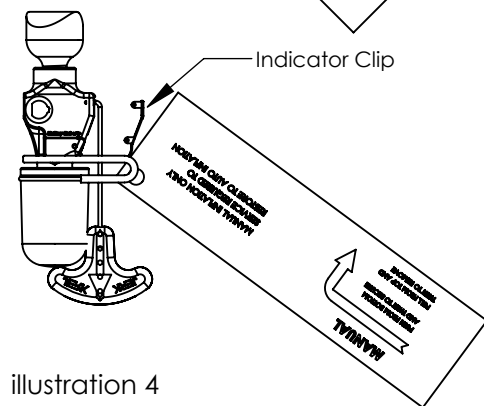


illustration 4

Removal of Manual Cap:

1. Twist cap clockwise (same direction as installation) and pull the cap away from the automatic inflator till the manual cap slides off.