

DRAWING NO.
CV15900BDB

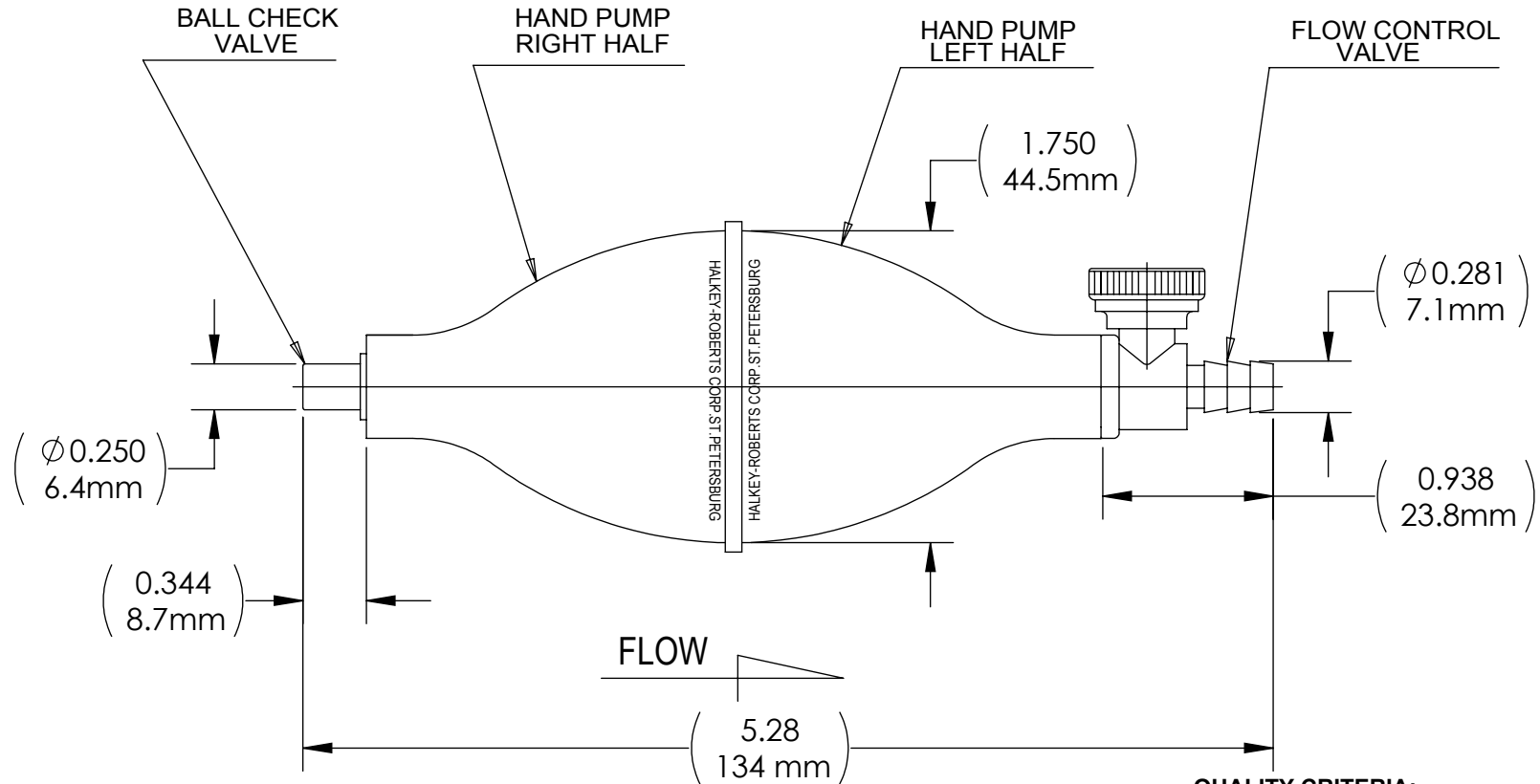
REV
A



Customer Drawing

Revision History

REV	DESCRIPTION (ECO)	DATE	APPROVED
-	-	-	-
A	UPDATE BORDER, NOTES, CRITICAL DIMENSIONS ECN 3992	3/5/09	AK



NOTES:

1. CRITICAL DIMENSIONS ARE CIRCLED, AND SUBJECT TO INSPECTION.
2. DIMENSIONS IN PARENTHESES ARE FOR REFERENCE ONLY.
3. ALL DIMENSIONS ARE IN INCHES WITH NOMINAL, DIMENSIONS IN MILLIMETERS BELOW.

QUALITY CRITERIA:

O.D. FLASH: 0.015 MAX. (0.4MM)
GATE VESTIGE: 0.01 MAX. (0.3MM)
EMBEDDED PARTICLES, BUBBLES, SPOTS, STAINS: 0.3mm ² MAX. NO MORE THAN 5 PER PART.

MOLDED PARTS:
GATES, PARTING LINES, AND FLASH PER QUALITY CRITERIA

PROPRIETARY AND CONFIDENTIAL

THE INFORMATION CONTAINED IN THIS DRAWING IS THE SOLE PROPERTY OF HALKEY-ROBERTS CORPORATION ST. PETERSBURG, FL. ANY REPRODUCTION IN PART OR AS A WHOLE WITHOUT THE WRITTEN PERMISSION OF HALKEY-ROBERTS CORPORATION IS PROHIBITED.

DRAWN BY mstein	DATE 4/3/2009
APPROVED BY -	DATE -
MATERIAL	
FINISH	
UNLESS OTHERWISE SPECIFIED: DIMENSIONS ARE IN INCHES TOLERANCES: ANGULAR: $\pm 1^\circ$ TWO PLACE DECIMAL $\pm .01$ THREE PLACE DECIMAL $\pm .005$	
THIRD ANGLE PROJECTION	



Halkey-Roberts

TITLE HAND PUMP W/ FLOW CONTROL VALVE	SIZE A	DRAWING NO. CV15900BDB	REV A
SCALE 1:1	DO NOT SCALE DRAWING		SHEET 1 OF 2