

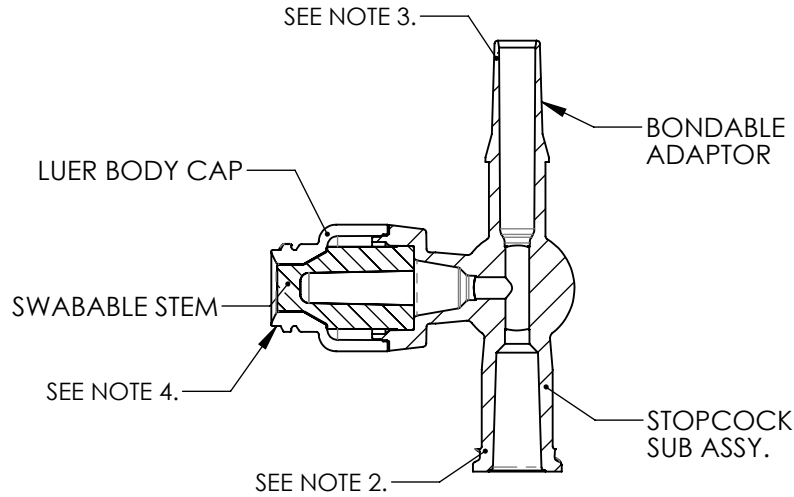
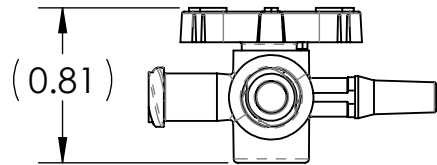
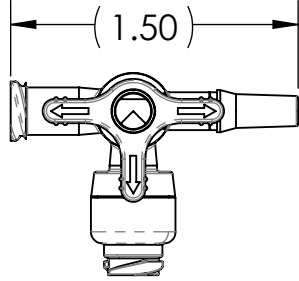
DRAWING NO.  
**C245864024X**

REV  
**C**

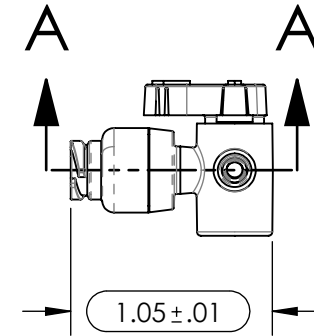
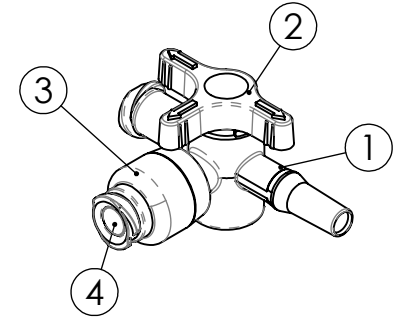
# Customer Drawing

## REVISION HISTORY

REV	DESCRIPTION (ECO)	DATE	APPROVED
B	UPDATE NOTE 1. & TITLE BLOCK ECO 6468	3/24/15	AK
C	ADD ISO80369-7 TO NOTES, ECO 8017	05/03/18	AK



SECTION A-A  
SCALE 1.5 : 1



ITEM NO.	DESCRIPTION	MATERIAL
ITEM 1.	STOPCOCK BODY:	PC MAKROLON RX-1805-451118 CLEAR
ITEM 2.	T LEVER/HANDLE:	HDPE MARLEX 9006
ITEM 3.	LUER BODY CAP:	PC MAKROLON RX-1805-451118 CLEAR
ITEM 4.	SWABABLE STEM:	WACKER ELASTOSIL LR 3003/40 HR, BLUE COLORANT DT COLOR K-75238

NOTES:

- SUFFIX "X" INDICATES HANDLE COLOR: B=BLUE
- FEMALE LUER COMFORMS WITH ISO594-2.
- MALE LUER CONFORMS WITH ISO594-1.
- SWABABLE FEMALE LUER COMPATIBLE WITH ISO594-2, AND ISO80369-7.
- CRITICAL DIMENSIONS CIRCLED AND SUBJECT TO INSPECTION.
- DIMENSIONS IN PARENTHESES ARE FOR REFERENCE ONLY.

**MOLDED PARTS:**  
GATES, PARTING LINES, AND FLASH PER QUALITY CRITERIA

**PROPRIETARY AND CONFIDENTIAL**  
THE INFORMATION CONTAINED IN THIS DRAWING IS SOLE PROPERTY OF HALKEY-ROBERTS CORPORATION ST. PETERSBURG, FL. ANY REPRODUCTION IN PART OR AS A WHOLE WITHOUT THE WRITTEN PERMISSION OF HALKEY-ROBERTS CORPORATION IS PROHIBITED.

<b>DRAWN BY</b>	DMC	<b>DATE</b>	10/20/2014
<b>APPROVED BY</b>		<b>DATE</b>	
<b>MATERIAL</b>			
<b>FINISH</b>			
<b>UNLESS OTHERWISE SPECIFIED:</b>	<b>THIRD ANGLE PROJECTION</b>		
DIMENSIONS ARE IN INCHES TOLERANCES: ANGULAR: ± 1° TWO PLACE DECIMAL ± .01 THREE PLACE DECIMAL ± .005			

**HR® Halkey-Roberts®**

<b>TITLE</b>	<b>STOPCOCK BONDABLE W/ T HANDLE</b>		
<b>SIZE</b>	<b>DRAWING NO.</b>	<b>REV</b>	
<b>A</b>	<b>C245864024X</b>	<b>C</b>	
<b>SCALE</b>	<b>DO NOT SCALE DRAWING</b>	<b>SHEET</b>	<b>1 OF 1</b>
<b>1:1</b>			