

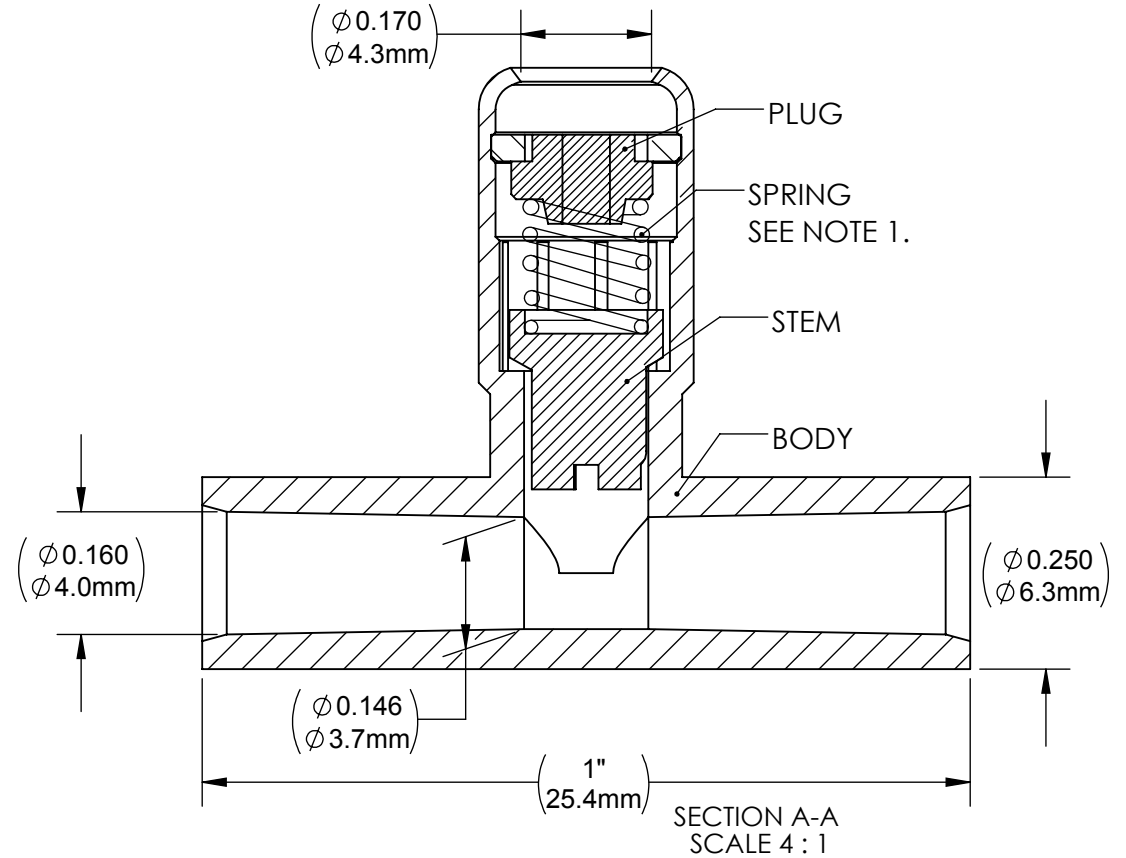
DRAWING NO.
C24781XX24

REV
F

Customer Drawing

REVISION HISTORY

REV	DESCRIPTION (ECO)	DATE	APPROVED
E	STANDARDIZE BOM LAYOUT ECO 6890	3/31/16	AK
F	ADD SUFFIX "11" 80 PSI ECO 7358	3/31/16	AK



NOTES:

1. SUFFIX "XX" INDICATES SPRING PRESSURE:

SUFFIX "XX"	BURST (PSI)
01	2.5 ±20%
02	8.45±25%
03	9.0-12.0
04	30.0 ±10%
08	18.0±10%
09	15.0±10%
10	58.0±20%
11	80.0±10%

2. MATERIAL & COLOR: CLEAR POLYCARBONATE.

3. CRITICAL DIMENSIONS ARE CIRCLED AND SUBJECT TO INSPECTION.

4. DIMENSIONS IN PARENTHESES ARE FOR REFERENCE ONLY.

5. ALL DIMENSIONS ARE IN INCHES WITH NOMINAL DIMENSIONS IN MILLIMETERS BELOW.

QUALITY CRITERIA:

O.D. FLASH: 0.060 MAX. (1.5mm)
GATE VESTIGE: 0.100 MAX. (2.5mm)
EMBEDDED PARTICLES, BUBBLES, SPOTS, STAINS: 0.3mm ² MAX. NO MORE THAN 3 PER PART.

MOLDED PARTS:
GATES, PARTING LINES, AND FLASH PER QUALITY CRITERIA

PROPRIETARY AND CONFIDENTIAL
THE INFORMATION CONTAINED IN THIS DRAWING IS SOLE PROPERTY OF HALKEY-ROBERTS CORPORATION ST. PETERSBURG, FL. ANY REPRODUCTION IN PART OR AS A WHOLE WITHOUT THE WRITTEN PERMISSION OF HALKEY-ROBERTS CORPORATION IS PROHIBITED.

DRAWN BY DMC	DATE 9/27/05
APPROVED BY	DATE
MATERIAL SEE BOM	
FINISH	
UNLESS OTHERWISE SPECIFIED: DIMENSIONS ARE IN INCHES TOLERANCES: ANGULAR: ± 1° TWO PLACE DECIMAL ± .01 THREE PLACE DECIMAL ± .005	THIRD ANGLE PROJECTION

Halkey-Roberts

TITLE "T" PRESSURE RELIEF PORT

SIZE A	DRAWING NO. C24781XX24	REV F
SCALE 1:1	DO NOT SCALE DRAWING	SHEET 1 OF 2