

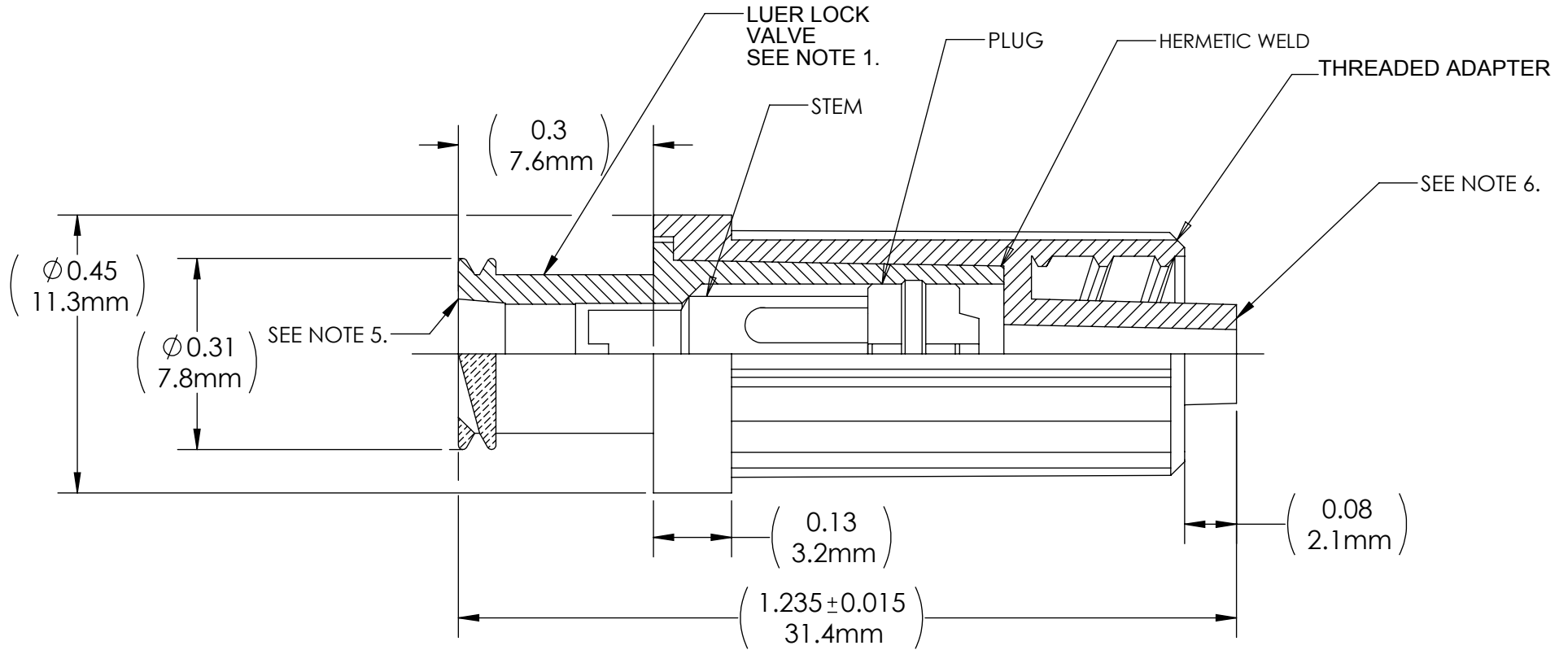
DRAWING NO.
C2471060XX

REV
E

Customer Drawing

REVISION HISTORY

REV	DESCRIPTION (ECO)	DATE	APPROVED
D	UPDATE O.A.L TO REF. DIMENSION ECN 4215	10/15/09	AK
E	CORRECT TYPO ON SHEET 2; STANDARDIZE BOM LAYOUT ECO 6890	3/28/16	AK



NOTES:

- SUFFIX INDICATES MATERIAL & COLOR:
01 - PVC CLEAR
21 - POLYCARBONATE GAMMA GRADE, CLEAR
- CRITICAL DIMENSIONS ARE CIRCLED, AND SUBJECT TO INSPECTION.
- DIMENSIONS IN PARENTHESES ARE FOR REFERENCE ONLY.
- ALL DIMENSIONS ARE IN INCHES WITH NOMINAL, DIMENSIONS IN MILLIMETERS BELOW.
- LUER COMPATIBLE WITH ISO594-2.
- LUER CONFORMS TO ISO 594-2

QUALITY CRITERIA:

O.D. FLASH: 0.015 MAX. (0.4mm)
GATE VESTIGE: 0.01 MAX. (0.3mm)
EMBEDDED PARTICLES, BUBBLES, SPOTS, STAINS: 0.3mm ² MAX. NO MORE THAN 3 PER PART.

MOLDED PARTS:
GATES, PARTING LINES, AND FLASH PER QUALITY CRITERIA

PROPRIETARY AND CONFIDENTIAL
THE INFORMATION CONTAINED IN THIS DRAWING IS SOLE PROPERTY OF HALKEY-ROBERTS CORPORATION ST. PETERSBURG, FL. ANY REPRODUCTION IN PART OR AS A WHOLE WITHOUT THE WRITTEN PERMISSION OF HALKEY-ROBERTS CORPORATION IS PROHIBITED.

DRAWN BY dcoughlin	DATE 10/15/2009
APPROVED BY	DATE
MATERIAL	
FINISH	
UNLESS OTHERWISE SPECIFIED: DIMENSIONS ARE IN INCHES TOLERANCES: ANGULAR: ± 1° TWO PLACE DECIMAL ± .01 THREE PLACE DECIMAL ± .005	
THIRD ANGLE PROJECTION	

Halkey-Roberts
LUER LOCK VALVE
W/ ANSI THREADED ADAPTER

SIZE A	DRAWING NO. C2471060XX	REV E
SCALE 1:1	DO NOT SCALE DRAWING	SHEET 1 OF 2