

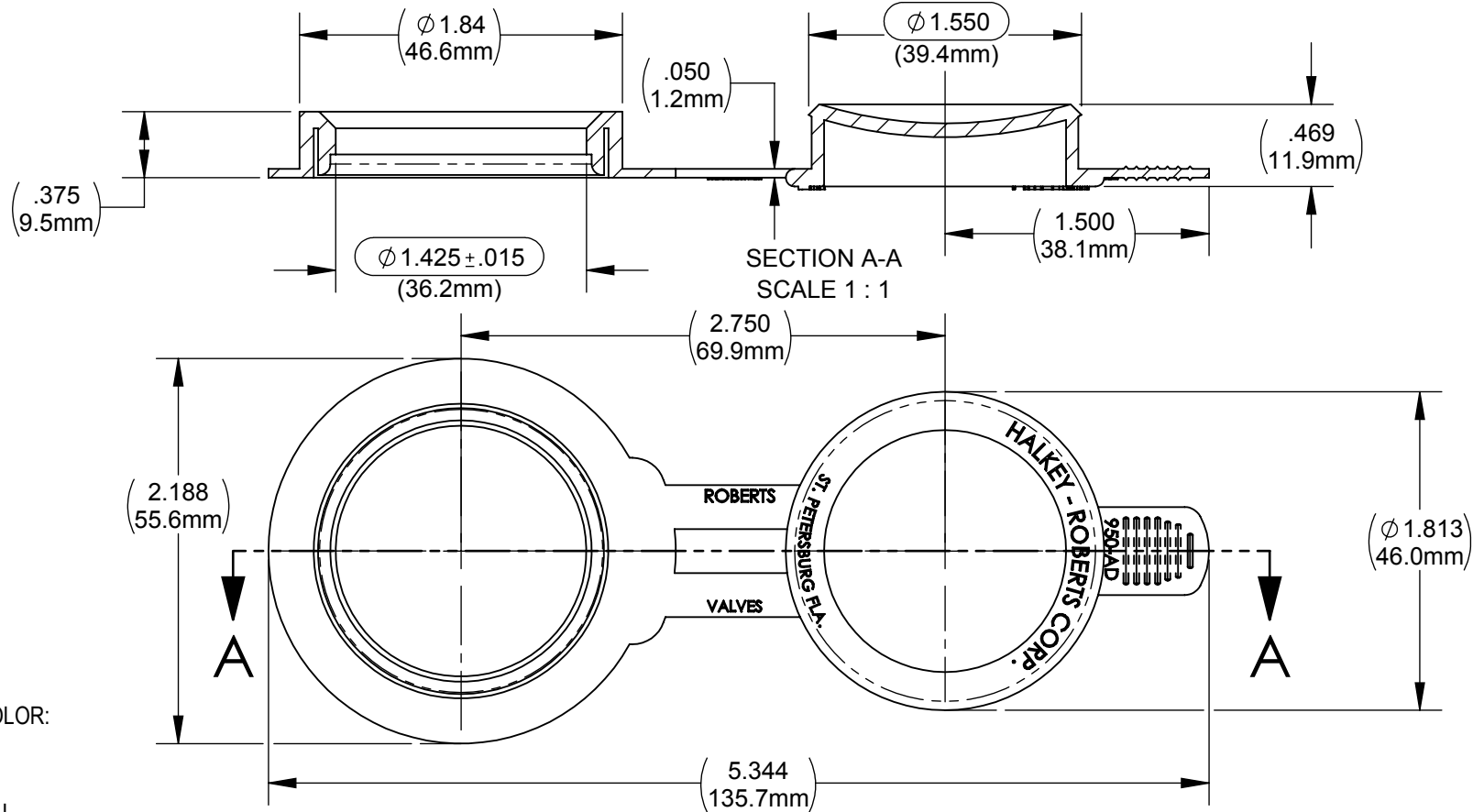
DRAWING NO.  
**C950ADXX**

REV  
**H**

# Customer Drawing

## REVISION HISTORY

REV	DESCRIPTION (ECO)	DATE	APPROVED
G	UPDATE BORDER, NOTES, SHOW CRITICAL DIM'S ECN 3992	3/5/09	AK
H	ASSOC. MODEL FILE W/ DRW. UPDATE BORDER, REDRAWN ECO 7915	03/02/18	AK



**NOTES:**

- FIRST SUFFIX INDICATES COLOR:  
NO SUFFIX - RED  
BK - BLACK  
DB - DARK BLUE  
DBM - DARK BLUE MEDICAL  
GM - GREEN FOR MEDICAL  
LB - LIGHT BLUE  
LBM - LIGHT BLUE MEDICAL  
M - RED MEDICAL  
W - WHITE
- SECOND SUFFIX INDICATES SPECIAL PACKING: S- BULK PACK
- CRITICAL DIMENSIONS ARE CIRCLED, AND SUBJECT TO INSPECTION.
- DIMENSIONS IN PARENTHESES ARE FOR REFERENCE ONLY.
- ALL DIMENSIONS ARE IN INCHES WITH NOMINAL, DIMENSIONS IN MILLIMETERS BELOW.

**QUALITY CRITERIA:**

O.D. FLASH: 0.030 MAX. (0.76MM)
GATE VESTIGE: 0.020 MAX. (0.5MM)
EMBEDDED PARTICLES, BUBBLES, SPOTS, STAINS: 0.3mm <sup>2</sup> MAX. NO MORE THAN 5 PER PART.

**MOLDED PARTS:**  
GATES, PARTING LINES, AND FLASH PER QUALITY CRITERIA

**PROPRIETARY AND CONFIDENTIAL**  
THE INFORMATION CONTAINED IN THIS DRAWING IS SOLE PROPERTY OF HALKEY-ROBERTS CORPORATION ST. PETERSBURG, FL. ANY REPRODUCTION IN PART OR AS A WHOLE WITHOUT THE WRITTEN PERMISSION OF HALKEY-ROBERTS CORPORATION IS PROHIBITED.

<b>DRAWN BY</b>	DMC	<b>DATE</b>	03/02/18
<b>APPROVED BY</b>		<b>DATE</b>	
<b>MATERIAL</b>	PVC DURO 78 A		
<b>FINISH</b>			
<b>UNLESS OTHERWISE SPECIFIED:</b>	<b>THIRD ANGLE PROJECTION</b>		
DIMENSIONS ARE IN INCHES			
TOLERANCES:			
ANGULAR: ± 1°			
TWO PLACE DECIMAL ±.01			
THREE PLACE DECIMAL ±.005			

**HR® Halkey-Roberts®**

**CLOSURE**

<b>SIZE</b>	<b>DRAWING NO.</b>	<b>REV</b>
<b>A</b>	<b>C950ADXX</b>	<b>H</b>
<b>SCALE</b>	<b>DO NOT SCALE DRAWING</b>	<b>SHEET</b>
1:2		1 OF 1