

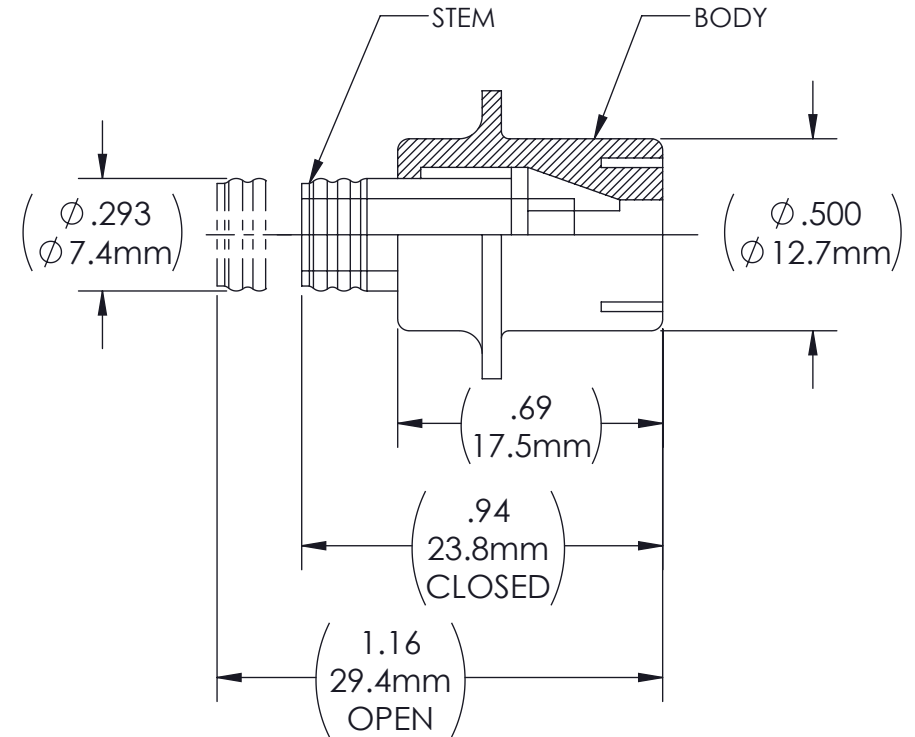
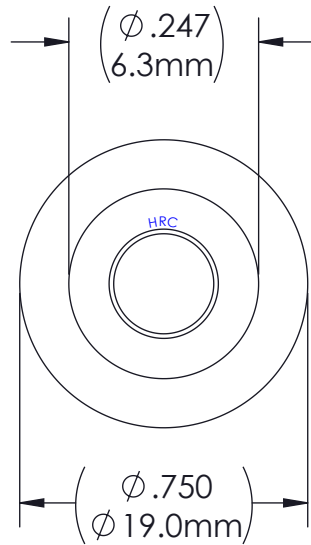
DRAWING NO.  
**C320ACU**

REV  
**D**

# Customer Drawing

## REVISION HISTORY

REV	DESCRIPTION (ECO)	DATE	APPROVED
3	TO DIM. 1 5/32 & 15/16 ADD, TOL ±01/32 REDRAWN	10-08-96	JW
D	UPDATE BORDER, ADD METRIC DIMS. NOTES, BOM. FCN 5183	4/17/12	AK



NOTES:

1. CRITICAL DIMENSIONS ARE CIRCLED AND SUBJECT TO INSPECTION.
2. DIMENSIONS IN PARENTHESES ARE FOR REFERENCE ONLY.
3. ALL DIMENSIONS ARE IN INCHES WITH NOMINAL DIMENSION IN METRIC BELOW.

**MOLDED PARTS:**  
GATES, PARTING LINES, AND FLASH PER QUALITY CRITERIA

**PROPRIETARY AND CONFIDENTIAL**  
THE INFORMATION CONTAINED IN THIS DRAWING IS SOLE PROPERTY OF HALKEY-ROBERTS CORPORATION ST. PETERSBURG, FL. ANY REPRODUCTION IN PART OR AS A WHOLE WITHOUT THE WRITTEN PERMISSION OF HALKEY-ROBERTS CORPORATION IS PROHIBITED.

<b>DRAWN BY</b>	M.S.	<b>DATE</b>	
<b>APPROVED BY</b>	JW	<b>DATE</b>	02-27-86
<b>MATERIAL</b>			
<b>FINISH</b>			
<b>UNLESS OTHERWISE SPECIFIED:</b>	<b>THIRD ANGLE PROJECTION</b>		
DIMENSIONS ARE IN INCHES			
TOLERANCES:			
ANGULAR: ± 1°			
TWO PLACE DECIMAL ±.01	<b>SIZE</b>	<b>DRAWING NO.</b>	
THREE PLACE DECIMAL ±.005	<b>A</b>	<b>C320ACU</b>	
	<b>SCALE</b>	<b>DO NOT SCALE DRAWING</b>	
	<b>4:1</b>	<b>SHEET</b>	<b>1 OF 2</b>

**Halkey-Roberts**

**TITLE** PUSH PULL VALVE, ASSY.

**REV** **D**