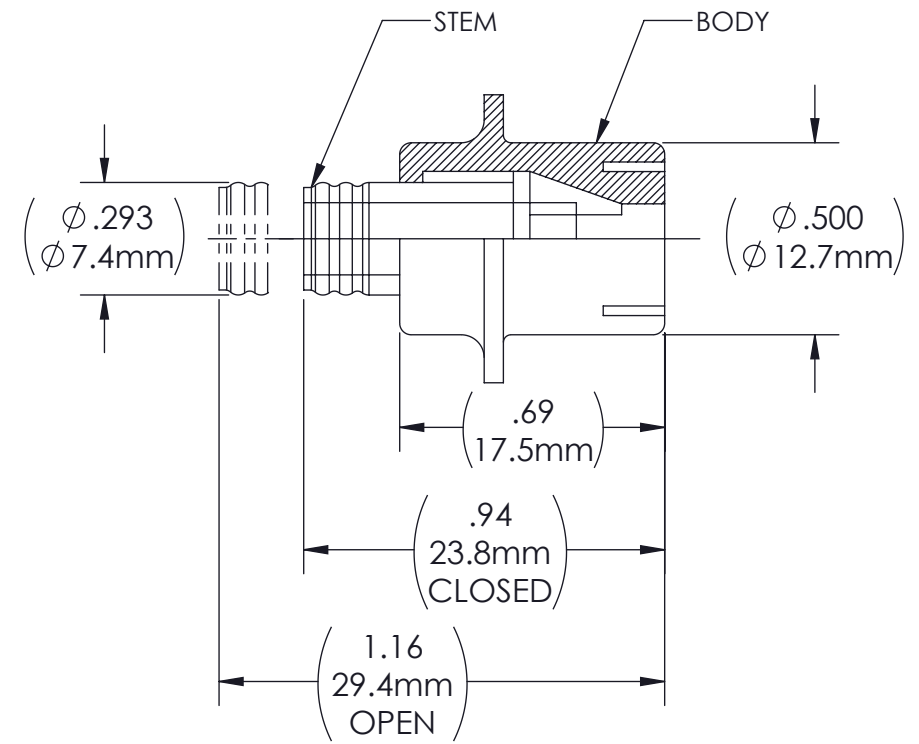
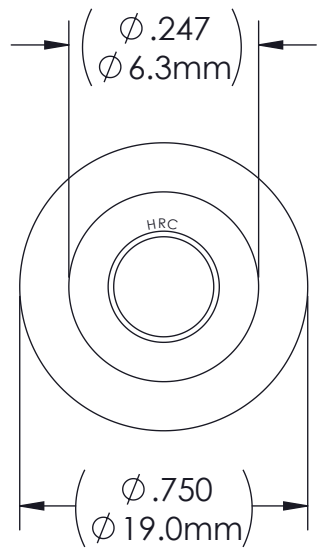


DRAWING NO.
C320AC

REV
B

Customer Drawing

REVISION HISTORY			
REV	DESCRIPTION (ECO)	DATE	APPROVED
1	19/64 WAS 7/32: TO DIM 1 5/32 & 15/16 ADD TOL ±1/32 & REDRAWN	10-08-96	JW
B	UPDATE BORDER, ADD METRIC DIMS. NOTES, BOM. FCN 5183	4/17/12	AK



NOTES:

1. CRITICAL DIMENSIONS ARE CIRCLED AND SUBJECT TO INSPECTION.
2. DIMENSIONS IN PARENTHESES ARE FOR REFERENCE ONLY.
3. ALL DIMENSIONS ARE IN INCHES WITH NOMINAL DIMENSION IN METRIC BELOW.

MOLDED PARTS:
GATES, PARTING LINES, AND FLASH PER QUALITY CRITERIA

PROPRIETARY AND CONFIDENTIAL
THE INFORMATION CONTAINED IN THIS DRAWING IS SOLE PROPERTY OF HALKEY-ROBERTS CORPORATION ST. PETERSBURG, FL. ANY REPRODUCTION IN PART OR AS A WHOLE WITHOUT THE WRITTEN PERMISSION OF HALKEY-ROBERTS CORPORATION IS PROHIBITED.

DRAWN BY	M.S.	DATE	
APPROVED BY	JW	DATE	02-27-86
MATERIAL			
FINISH			
UNLESS OTHERWISE SPECIFIED:	THIRD ANGLE PROJECTION		
DIMENSIONS ARE IN INCHES			
TOLERANCES:			
ANGULAR: ± 1°			
TWO PLACE DECIMAL ± .01			
THREE PLACE DECIMAL ± .005			

Halkey-Roberts

TITLE PUSH PULL VALVE, ASSY.

SIZE	DRAWING NO.	REV
A	C320AC	B
SCALE	DO NOT SCALE DRAWING	SHEET
4:1		1 OF 2