

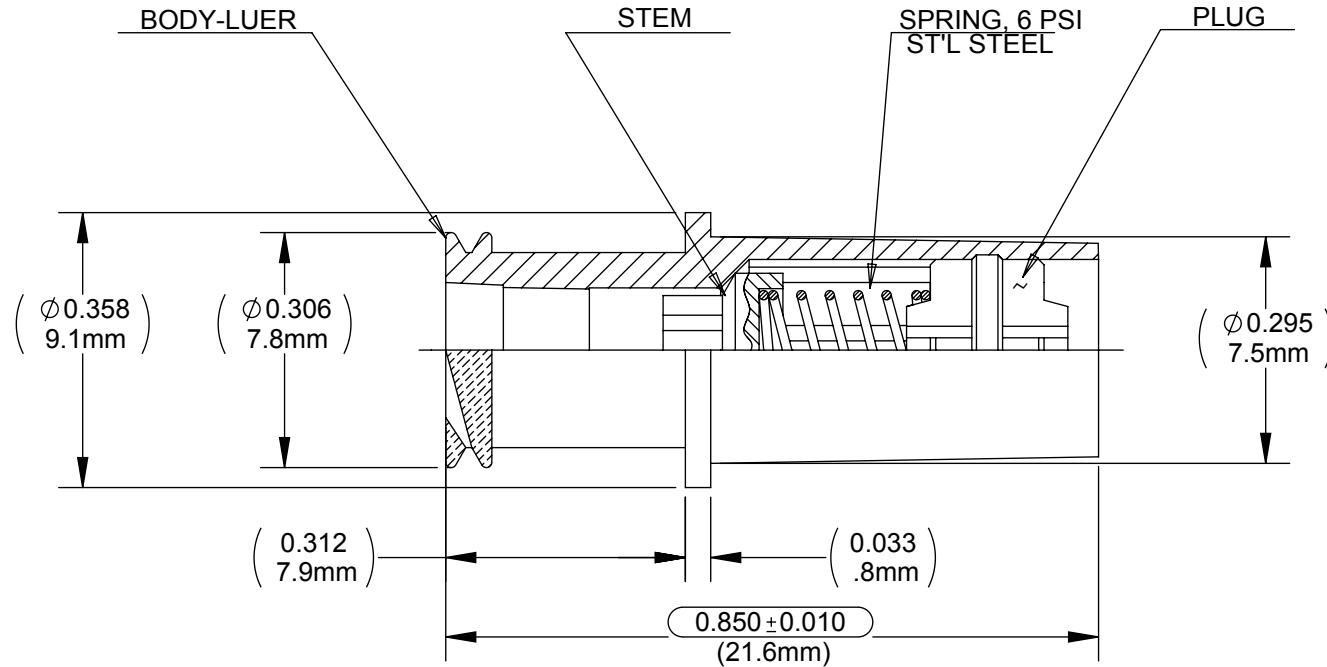
DRAWING NO.
C246301001

REV
C

Customer Drawing

Revision History

REV	DESCRIPTION (ECO)	DATE	APPROVED
B	UPDATE TITLE, CORRECT PSI CALLOUT TO READ 6.1 ECN 4255	11/19/09	AK
C	ADD SPRING PSI RATE & UPDATE TITLE ECN 5281	6/27/12	AK



NOTES:

1. CRITICAL DIMENSIONS ARE CIRCLED, AND SUBJECT TO INSPECTION.
2. DIMENSIONS IN PARENTHESES ARE FOR REFERENCE ONLY.
3. ALL DIMENSIONS ARE IN INCHES WITH NOMINAL, DIMENSIONS IN MILLIMETERS BELOW.
4. LUER COMPATIBLE WITH ISO594-2

QUALITY CRITERIA:

O.D. FLASH: 0.015 MAX. (0.4MM)
GATE VESTIGE: 0.01 MAX. (0.3MM)
EMBEDDED PARTICLES, BUBBLES, SPOTS, STAINS: 0.3mm ² MAX. NO MORE THAN 3 PER PART.

MOLDED PARTS:
GATES, PARTING LINES, AND FLASH PER QUALITY CRITERIA

PROPRIETARY AND CONFIDENTIAL
THE INFORMATION CONTAINED IN THIS DRAWING IS THE SOLE PROPERTY OF HALKEY-ROBERTS CORPORATION ST. PETERSBURG, FL. ANY REPRODUCTION IN PART OR AS A WHOLE WITHOUT THE WRITTEN PERMISSION OF HALKEY-ROBERTS CORPORATION IS PROHIBITED.

DRAWN BY	M.S.	DATE	12/4/2009
APPROVED BY	JW	DATE	
MATERIAL	PVC ALPHA 2212 RHT/1		

FINISH		THIRD ANGLE PROJECTION	
UNLESS OTHERWISE SPECIFIED:	DIMENSIONS ARE IN INCHES		
	TOLERANCES:		
	ANGULAR: ± 1°		
	TWO PLACE DECIMAL ± .01		
	THREE PLACE DECIMAL ± .005		

Halkey-Roberts

TITLE	CHECK VALVE, LUER LOCK		
SIZE	DRAWING NO.	REV	
A	C246301001	C	
SCALE	DO NOT SCALE DRAWING	SHEET	1 OF 2
4:1			