

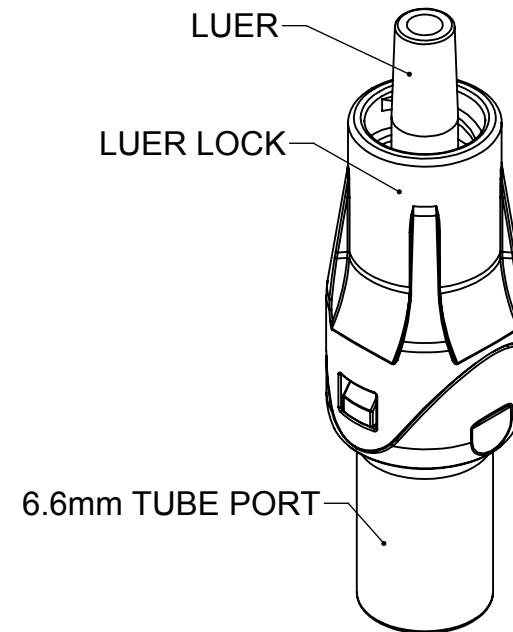
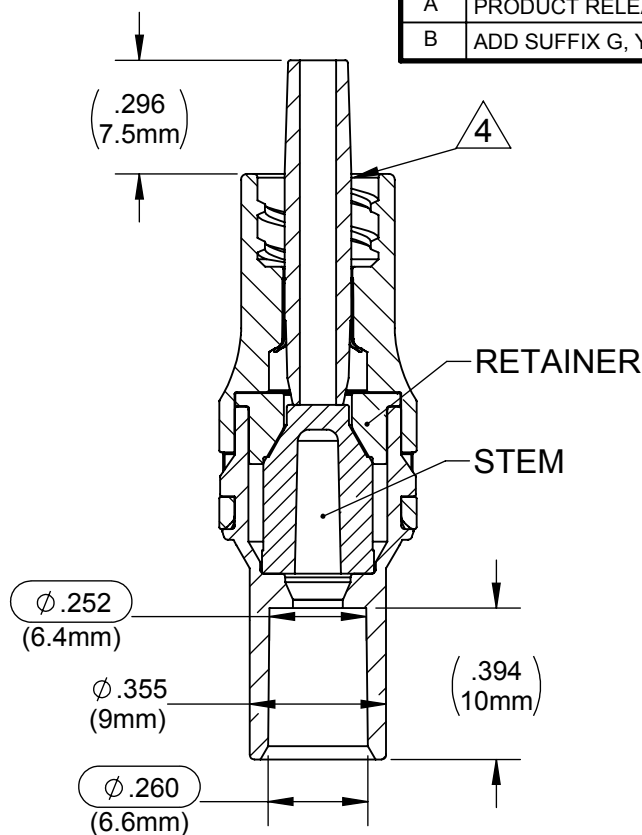
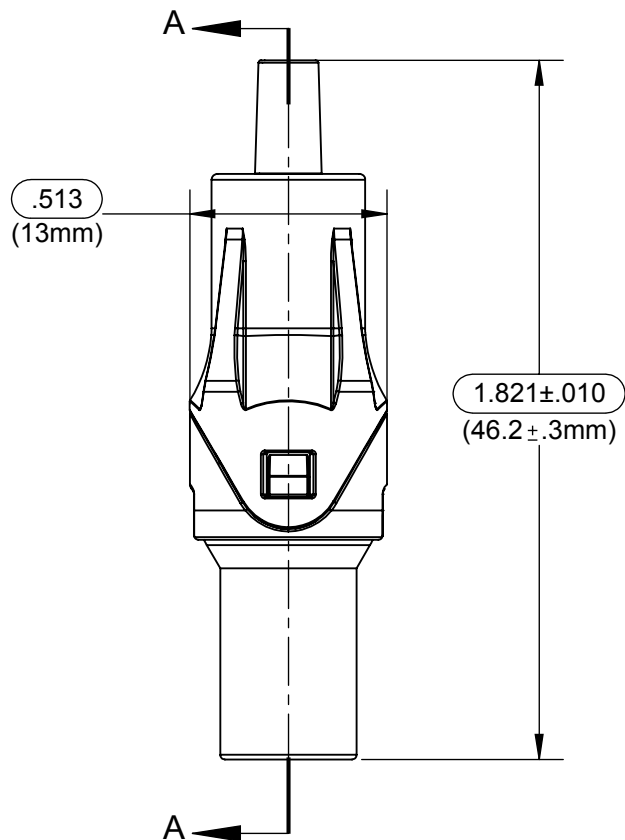
DRAWING NO.  
**C251001004X**

REV  
**B**

# Customer Drawing

## REVISION HISTORY

REV	DESCRIPTION (ECO)	DATE	APPROVED
A	PRODUCT RELEASE ECO 6827	1/28/16	AK
B	ADD SUFFIX G, Y, ECO 7279	12/15/16	SR



SECTION A-A  
SCALE 2 : 1

**NOTES:**

- SUFFIX "X" INDICATES END COLOR: NONE - CLEAR, R - RED, B - BLUE, G - GREEN, Y - YELLOW.
- DIMENSIONS IN PARENTHESES ARE FOR REFERENCE ONLY.
- ALL DIMENSIONS ARE IN INCHES WITH THE NOMINAL DIMENSION IN MILLIMETERS BELOW.

4. LUER COMPATIBLE WITH ISO 594.

**VALVE SPECIFICATION:**

BIOCOMPATABILITY: PASSES ISO 10993, PART 1.  
 MATERIALS: ALL MATERIALS ARE GAMMA RESISTANT, MEET USP CLASS VI; ARE DEHP, AND LATEX FREE.  
 PACKAGING: DOUBLE PLASTIC BAGGED; 2000 PER BAG, 10,000 PER BOX.  
 POTENTIAL STERILIZATION: ETO; AND GAMMA, BASED ON RAW MATERIAL SPECIFICATIONS.

QUALITY CRITERIA
O.D. FLASH; 0.015 MAX. (0.4mm)
GATE VESTIGE: 0.01MAX. (0.3mm)
EMBEDDED PARTICLES, BUBBLE SPOTS, STAINS; 0.3mm <sup>2</sup> MAX. NO MORE THAN 3 PER PART.

**MOLDED PARTS:**  
GATES, PARTING LINES, AND FLASH PER QUALITY CRITERIA

**PROPRIETARY AND CONFIDENTIAL**  
THE INFORMATION CONTAINED IN THIS DRAWING IS SOLE PROPERTY OF HALKEY-ROBERTS CORPORATION ST. PETERSBURG, FL. ANY REPRODUCTION IN PART OR AS A WHOLE WITHOUT THE WRITTEN PERMISSION OF HALKEY-ROBERTS CORPORATION IS PROHIBITED.

<b>DRAWN BY</b>	S.Rogier	<b>DATE</b>	12/2/14
<b>APPROVED BY</b>		<b>DATE</b>	
<b>MATERIAL</b>			
<b>FINISH</b>			
<b>UNLESS OTHERWISE SPECIFIED:</b>	THIRD ANGLE PROJECTION		
DIMENSIONS ARE IN INCHES			
TOLERANCES:			
ANGULAR: ± 1°			
TWO PLACE DECIMAL ± .01			
THREE PLACE DECIMAL ± .005			

**Halkey-Roberts**

TITLE **MALE SHUT OFF VALVE 6.6mm**

SIZE **A** DRAWING NO. **C251001004X** REV **B**

SCALE **1:1** **DO NOT SCALE DRAWING** SHEET **1 OF 2**