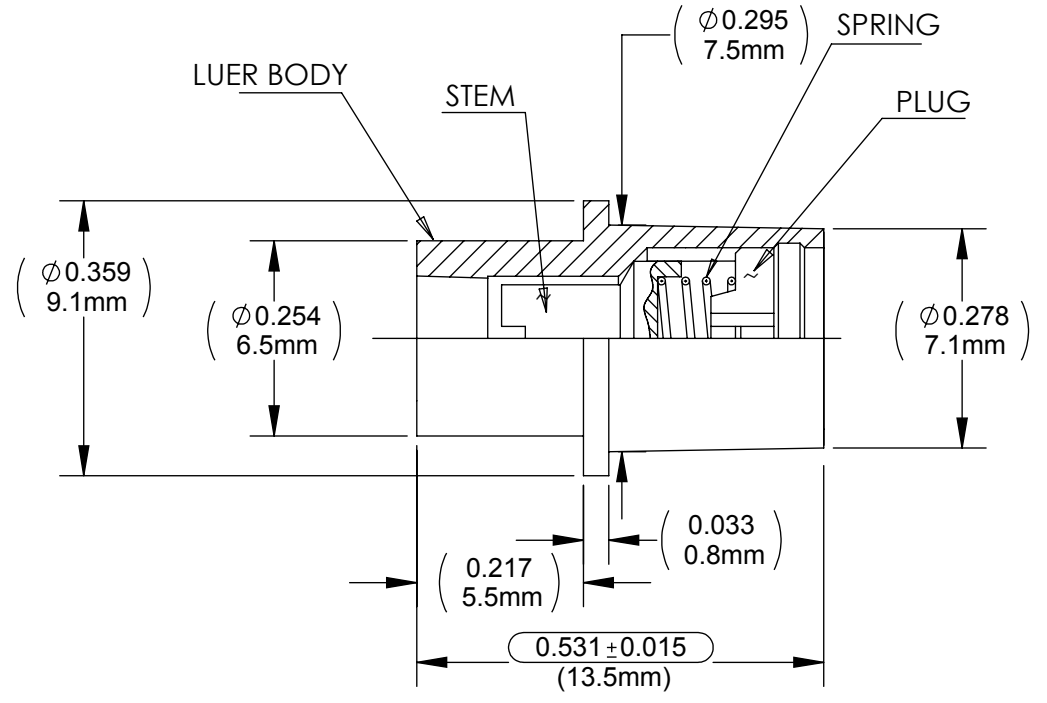


DRAWING NO.
C2470630XX

REV
D

Customer Drawing

REVISION HISTORY			
REV	DESCRIPTION (ECO)	DATE	APPROVED
C	REACTIVATE SUFFIX 21 ECN 5003	10/18/11	AK
D	STANDARDIZE BOM LAYOUT ECO 6890	3/25/16	AK



NOTE:

- SUFFIX INDICATES BODY MAT'L & COLOR:
01 - PVC CLEAR
21 - POLYCARBONATE CLEAR
- CRITICAL DIMENSIONS ARE CIRCLED, AND SUBJECT TO INSPECTION.
- DIMENSIONS IN PARENTHESES ARE FOR REFERENCE ONLY.
- ALL DIMENSIONS ARE IN INCHES WITH NOMINAL, DIMENSIONS IN MILLIMETERS BELOW.
- LUER COMPATIBLE WITH ISO594-2.

QUALITY CRITERIA:

O.D. FLASH: 0.015 MAX. (0.4mm)
GATE VESTIGE: 0.01 MAX. (0.3mm)
EMBEDDED PARTICLES, BUBBLES, SPOTS, STAINS: 0.3mm ² MAX. NO MORE THAN 3 PER PART.

MOLDED PARTS:
GATES, PARTING LINES, AND FLASH PER QUALITY CRITERIA

PROPRIETARY AND CONFIDENTIAL
THE INFORMATION CONTAINED IN THIS DRAWING IS SOLE PROPERTY OF HALKEY-ROBERTS CORPORATION ST. PETERSBURG, FL. ANY REPRODUCTION IN PART OR AS A WHOLE WITHOUT THE WRITTEN PERMISSION OF HALKEY-ROBERTS CORPORATION IS PROHIBITED.

DRAWN BY E.W.	DATE 2/23/98
APPROVED BY L.F.	DATE
MATERIAL	
FINISH	
UNLESS OTHERWISE SPECIFIED: DIMENSIONS ARE IN INCHES TOLERANCES: ANGULAR: ± 1° TWO PLACE DECIMAL ± .01 THREE PLACE DECIMAL ± .005	THIRD ANGLE PROJECTION

Halkey-Roberts

TITLE LUER VALVE

SIZE A	DRAWING NO. C2470630XX	REV D
SCALE 4:1	DO NOT SCALE DRAWING	SHEET 1 OF 2