

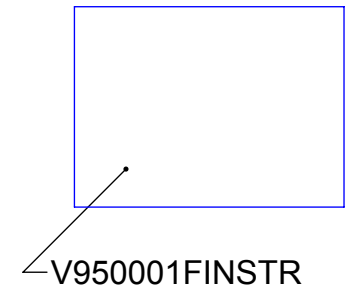
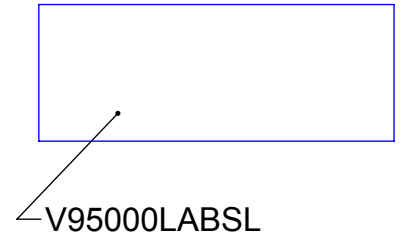
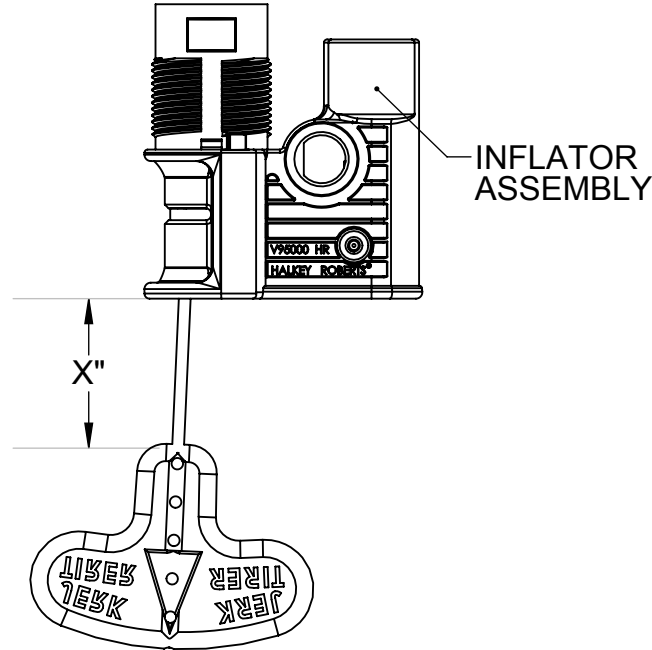
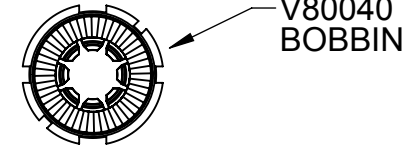
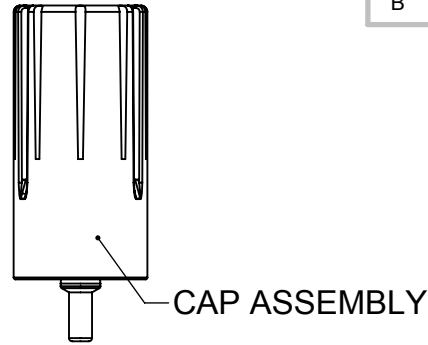
DRAWING NO.
CV95000XXB

REV
B

Customer Drawing

REVISION HISTORY

REV	DESCRIPTION (ECO)	DATE	APPROVED
A	UL Document Released ECO 6811	1/14/16	AK
B	Updated body view ECO# 7073	10/12/16	AK



NOTES:

- 1ST SUFFIX INDICATES THREAD SIZE:
 - None - 1/2"-20 THREAD
 - S - 3/8"-24 THREAD
- 2ND SUFFIX INDICATES LANYARD LENGTH:
 - 40 - 4" LANYARD
 - 60 - 6" LANYARD
 - 100 - 10" LANYARD

MOLDED PARTS:
GATES, PARTING LINES, AND FLASH PER QUALITY CRITERIA

PROPRIETARY AND CONFIDENTIAL
THE INFORMATION CONTAINED IN THIS DRAWING IS SOLE PROPERTY OF HALKEY-ROBERTS CORPORATION ST. PETERSBURG, FL. ANY REPRODUCTION IN PART OR AS A WHOLE WITHOUT THE WRITTEN PERMISSION OF HALKEY-ROBERTS CORPORATION IS PROHIBITED.

DRAWN BY	SJR	DATE	1/22/2016
APPROVED BY	AK	DATE	
MATERIAL			
FINISH			
UNLESS OTHERWISE SPECIFIED:	THIRD ANGLE PROJECTION		
DIMENSIONS ARE IN INCHES			
TOLERANCES:			
ANGULAR: ± 1°			
TWO PLACE DECIMAL ± .01			
THREE PLACE DECIMAL ± .005			

Halkey-Roberts

TITLE: **Automatic/Manual 1F Inflator**

SIZE: **A** DRAWING NO.: **CV95000XXB** REV: **B**

SCALE: **1:4** DO NOT SCALE DRAWING SHEET: **1 OF 1**