

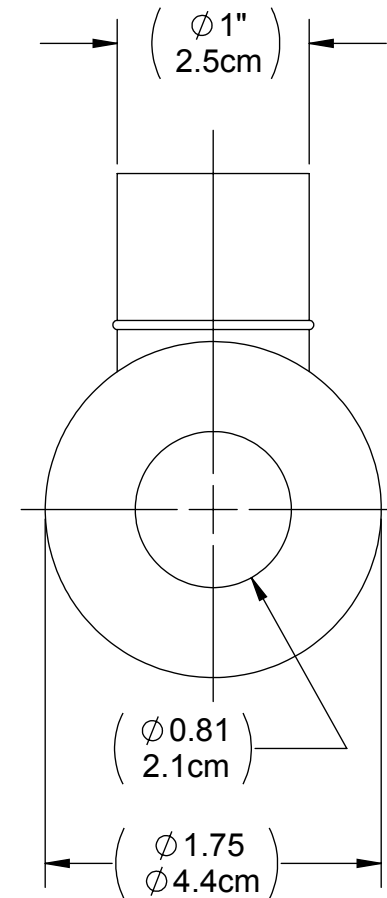
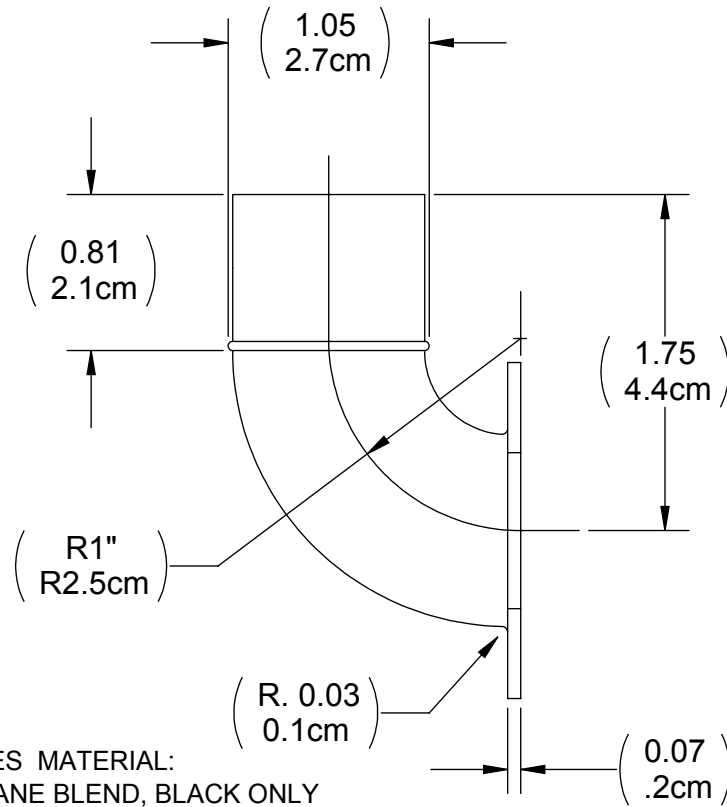
DRAWING NO.
C927ACUXX

REV
A

Customer Drawing

Revision History

REV	DESCRIPTION (ECO)	DATE	APPROVED
A	NEW DRAWING ECN 4211	10/08/09	AK



NOTES:

- FIRST SUFFIX "X" INDICATES MATERIAL:
NONE - PVC/POLYURETHANE BLEND, BLACK ONLY
S - POLYETHER URETHANE
- SECOND SUFFIX "X" INDICATES COLOR:
BK - BLACK
R - RED
- CRITICAL DIMENSIONS ARE CIRCLED AND SUBJECT TO INSPECTION.
- DIMENSIONS IN PARENTHESES ARE FOR REFERENCE ONLY.
- ALL DIMENSIONS ARE IN INCHES WITH NOMINAL DIMENSIONS IN METRIC BELOW.

TOOLING	PART NO.	IFU
WELD DIE:	D927AC	-----

DRAWN BY	DMC	DATE	10/08/09
APPROVED BY		DATE	
MATERIAL	SEE NOTES		
FINISH			
UNLESS OTHERWISE SPECIFIED:	DIMENSIONS ARE IN INCHES TOLERANCES: ANGULAR: $\pm 1^\circ$ TWO PLACE DECIMAL $\pm .01$ THREE PLACE DECIMAL $\pm .005$		
THIRD ANGLE PROJECTION			

Halkey-Roberts

TITLE ANGLE CONNECTOR

MOLDED PARTS:
GATES, PARTING LINES, AND FLASH PER QUALITY CRITERIA
PROPRIETARY AND CONFIDENTIAL
THE INFORMATION CONTAINED IN THIS DRAWING IS THE SOLE PROPERTY OF HALKEY-ROBERTS CORPORATION ST. PETERSBURG, FL. ANY REPRODUCTION IN PART OR AS A WHOLE WITHOUT THE WRITTEN PERMISSION OF HALKEY-ROBERTS CORPORATION IS PROHIBITED.

SIZE	A	DRAWING NO.	C927ACUXX	REV	A
SCALE	1:1	DO NOT SCALE DRAWING		SHEET	1 OF 1