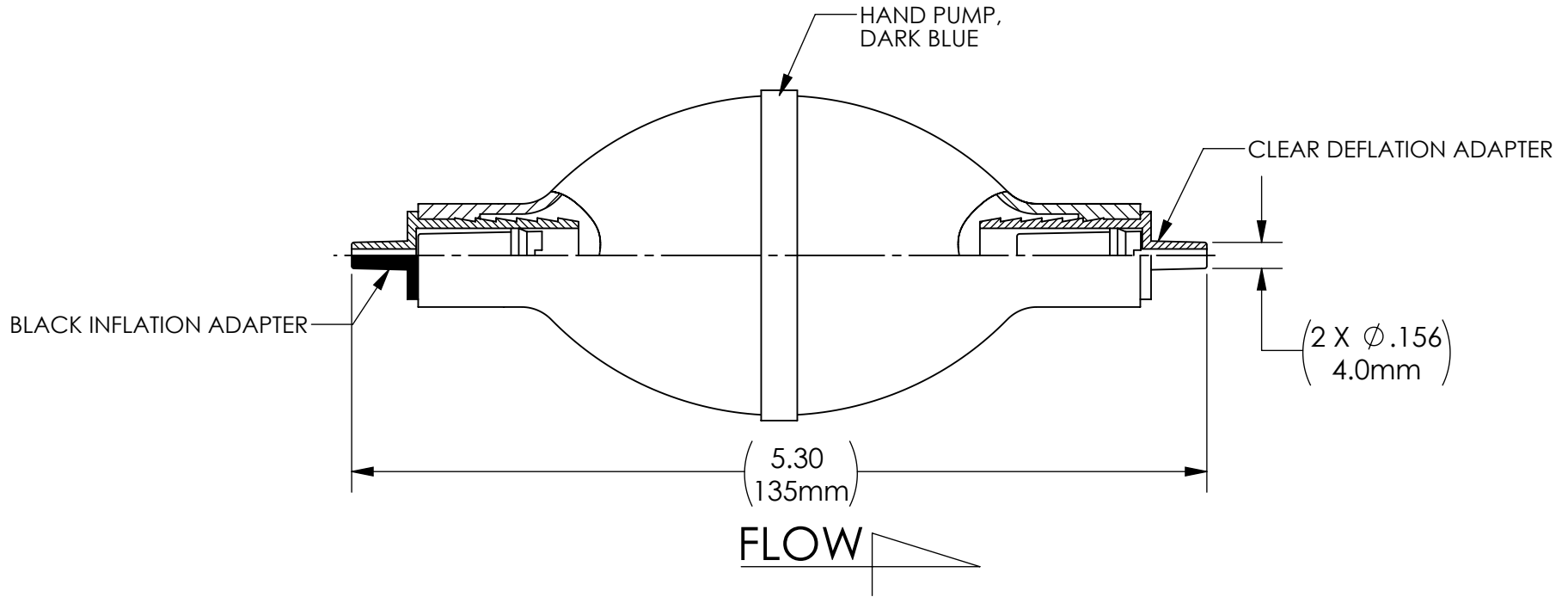


DRAWING NO.  
**CV15600LAPDB**

REV  
**A**

# Customer Drawing

REVISION HISTORY			
REV	DESCRIPTION (ECO)	DATE	APPROVED
A	NEW DRAWING ECN 5316	8/02/12	AK



**NOTES:**

1. MATERIAL AND COLOR FOR HAND PUMP: PVC, DARK BLUE .
2. CRITICAL DIMENSIONS ARE CIRCLED, AND SUBJECT TO INSPECTION.
3. DIMENSIONS IN PARENTHESES ARE FOR REFERENCE ONLY.
4. ALL DIMENSIONS ARE IN INCHES WITH NOMINAL IN METRIC BELOW.
5. BUILD PER WORK ORDER.

<b>DRAWN BY</b>	DMC	<b>DATE</b>	8/7/2012	
<b>APPROVED BY</b>		<b>DATE</b>		
<b>MATERIAL</b>				
<b>FINISH</b>		<b>THIRD ANGLE PROJECTION</b>		
<b>MOLDED PARTS:</b> <small>GATES, PARTING LINES, AND FLASH PER QUALITY CRITERIA</small>		<small>UNLESS OTHERWISE SPECIFIED:          DIMENSIONS ARE IN INCHES          TOLERANCES:          ANGULAR: ± 1°          TWO PLACE DECIMAL ± .01          THREE PLACE DECIMAL ± .005</small>		
<b>INFLATION, DEFLATION PUMP</b>				<b>SIZE</b> A <b>SCALE</b> 1:1
<b>CV15600LAPDB</b>			<b>REV</b> A <b>SHEET</b> 1 OF 2	
<b>DO NOT SCALE DRAWING</b>				

**PROPRIETARY AND CONFIDENTIAL**  
 THE INFORMATION CONTAINED IN THIS DRAWING IS SOLE PROPERTY OF HALKEY-ROBERTS CORPORATION ST. PETERSBURG, FL. ANY REPRODUCTION IN PART OR AS A WHOLE WITHOUT THE WRITTEN PERMISSION OF HALKEY-ROBERTS CORPORATION IS PROHIBITED.