

DRAWING NO.

CV2460021

REV

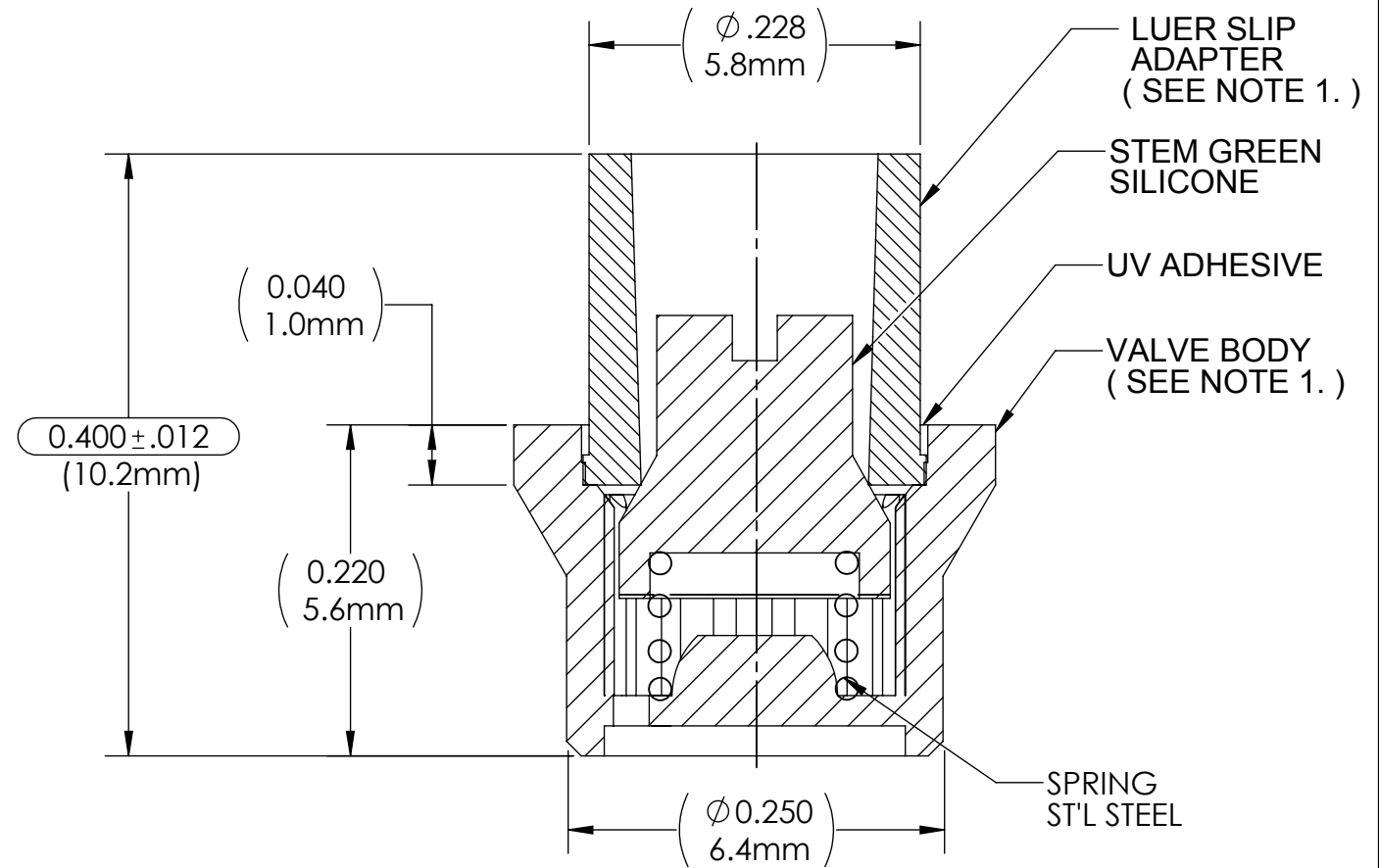
F



## Customer Drawing

## Revision History

REV	DESCRIPTION (ECO)	DATE	APPROVED
E	CONVERT TO UV BOND ECN 3477	11/03/06	P.M.
F	UPDATE BORDER, NOTES, CRITICAL DIMENSION, ECN 3992	2/23/09	AK



## NOTES:

1. MATERIAL: CLEAR GAMMA GRADE, POLYCARBONATE.
2. CRITICAL DIMENSIONS ARE CIRCLED, AND SUBJECT TO INSPECTION.
3. DIMENSIONS IN PARENTHESES ARE FOR REFERENCE ONLY.
4. ALL DIMENSIONS ARE IN INCHES WITH NOMINAL, DIMENSIONS IN MILLIMETERS BELOW.
5. LUER COMPATIBLE WITH ISO594-2.

## QUALITY CRITERIA:

O.D. FLASH: 0.015 MAX. (0.4MM)

GATE VESTIGE: 0.01 MAX. (0.3MM)

EMBEDDED PARTICLES, BUBBLES, SPOTS, STAINS: 0.3mm<sup>2</sup> MAX. NO MORE THAN 3 PER PART.

DRAWN BY	M.S.	DATE	
APPROVED BY	J.W.	DATE	12-06-99
MATERIAL			
FINISH			
UNLESS OTHERWISE SPECIFIED:	THIRD ANGLE PROJECTION		
DIMENSIONS ARE IN INCHES			
TOLERANCES:			
ANGULAR: ± 1°			
TWO PLACE DECIMAL ± .01			
THREE PLACE DECIMAL ± .005			



Halkey-Roberts

TITLE CATHETER VALVE

MOLDED PARTS:  
GATES, PARTING LINES, AND FLASH PER QUALITY CRITERIA

PROPRIETARY AND CONFIDENTIAL

THE INFORMATION CONTAINED IN THIS DRAWING IS THE SOLE PROPERTY OF HALKEY-ROBERTS CORPORATION, ST. PETERSBURG, FL. ANY REPRODUCTION IN PART OR AS A WHOLE WITHOUT THE WRITTEN PERMISSION OF HALKEY-ROBERTS CORPORATION IS PROHIBITED.

SIZE  
ASCALE  
10:1

DRAWING NO. CV2460021

DO NOT SCALE DRAWING

SHEET  
1 OF 2REV  
F