

DRAWING NO.
C1020AFX

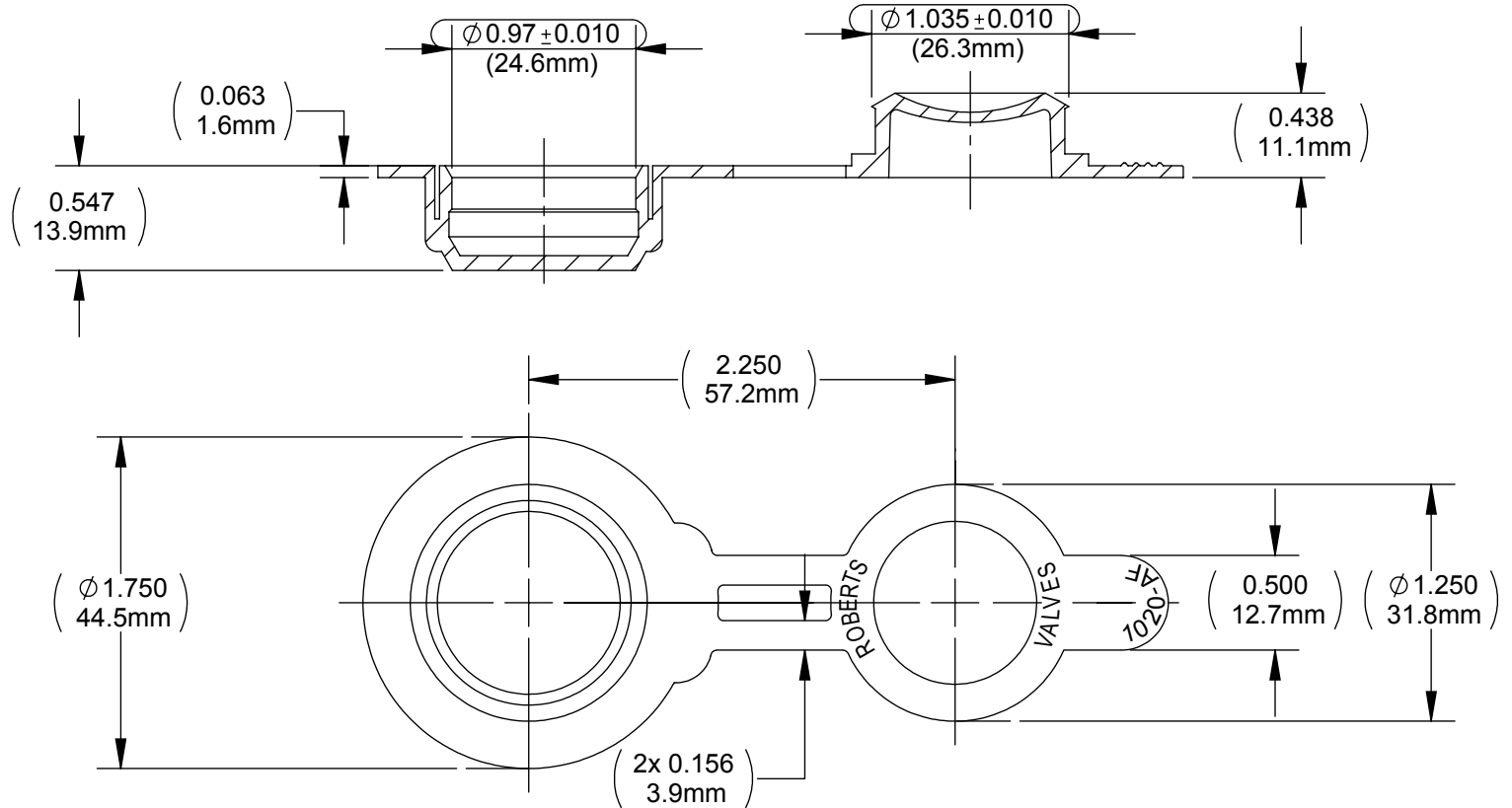
REV
D



Customer Drawing

Revision History

REV	DESCRIPTION (ECO)	DATE	APPROVED
C	UPDATE BORDER, NOTES, ADD CRITICAL DIMENSIONS ECN 3992	2/18/09	AK
D	REMOVE SUFFIX "DBM" ECN 4062	6/04/09	AK



NOTES:

- SUFFIX "X" INDICATES COLOR:
NO SUFFIX - RED
C - CLEAR
- LETTERS TO BE 3/32 HIGH & .005 MIN. RAISED, AS SHOWN.
- CRITICAL DIMENSIONS ARE CIRCLED, AND SUBJECT TO INSPECTION.
- DIMENSIONS IN PARENTHESES ARE FOR REFERENCE ONLY.
- ALL DIMENSIONS ARE IN INCHES WITH NOMINAL, DIMENSIONS IN MILLIMETERS BELOW.

QUALITY CRITERIA:

O.D. FLASH: 0.060 MAX. (1.5MM)
GATE VESTIGE: 0.100 MAX. (2.5MM)
EMBEDDED PARTICLES, BUBBLES, SPOTS, STAINS: 0.3mm ² MAX. NO MORE THAN 5 PER PART.

DRAWN BY	M.S.	DATE	10-13-97
APPROVED BY	JW	DATE	-
MATERIAL	PVC		
FINISH			
UNLESS OTHERWISE SPECIFIED:	THIRD ANGLE PROJECTION		
DIMENSIONS ARE IN INCHES TOLERANCES: ANGULAR: ± 1° TWO PLACE DECIMAL ± .01 THREE PLACE DECIMAL ± .005			

 **Halkey-Roberts**

TITLE **FLO - CHECK VALVE**

MOLDED PARTS:
GATES, PARTING LINES, AND FLASH PER QUALITY CRITERIA
PROPRIETARY AND CONFIDENTIAL
THE INFORMATION CONTAINED IN THIS DRAWING IS THE SOLE PROPERTY OF HALKEY-ROBERTS CORPORATION ST. PETERSBURG, FL. ANY REPRODUCTION IN PART OR AS A WHOLE WITHOUT THE WRITTEN PERMISSION OF HALKEY-ROBERTS CORPORATION IS PROHIBITED.

SIZE	A	DRAWING NO.	C1020AFX	REV	D
SCALE	1:1	DO NOT SCALE DRAWING		SHEET	1 OF 1