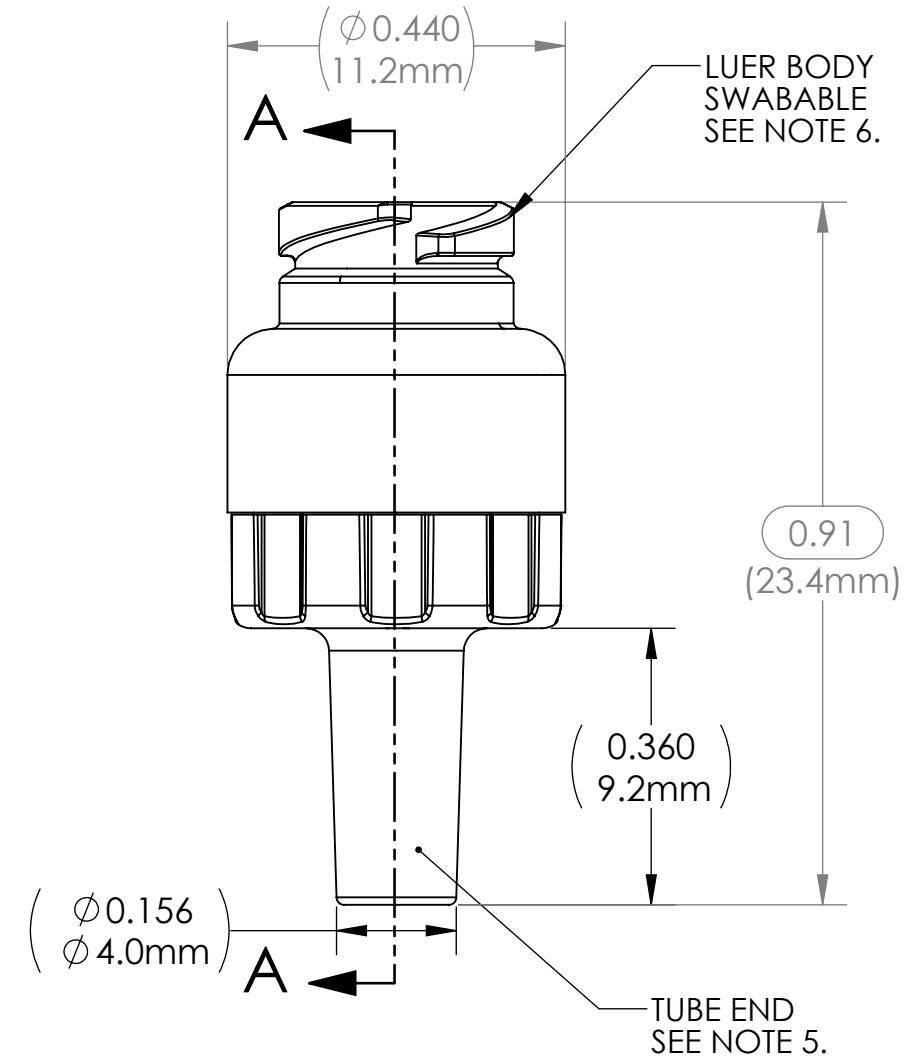
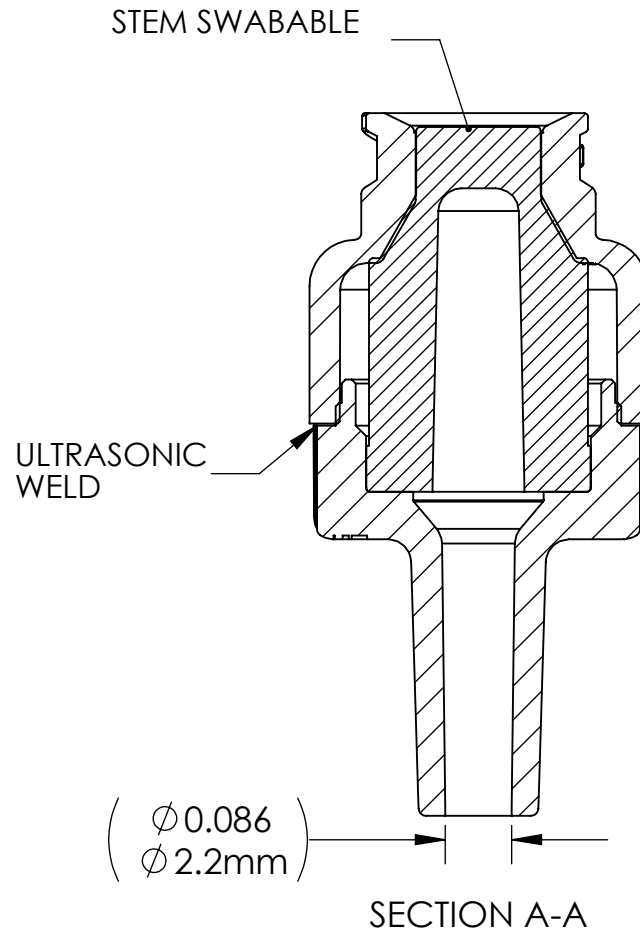
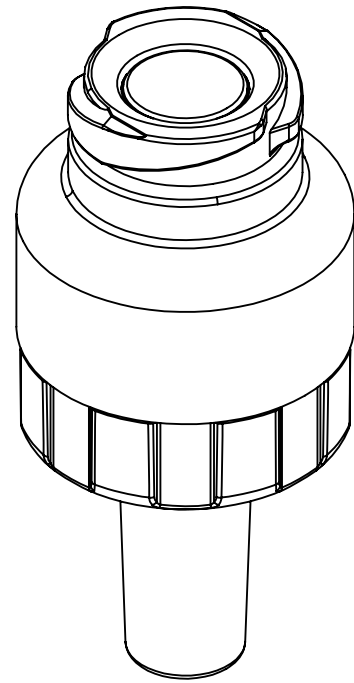


REVISION HISTORY			
REV	DESCRIPTION (ECO)	DATE	APPROVED
A	NEW DRAWING REPLACES C245501024X ECO 7833	01/26/18	AK
B	ADD ISO80369-7 TO NOTES, ECO 8017	04/30/18	AK



NOTES:

- SUFFIX XXXX INDICATES COLOR OF LUER BODY, AND STEM:
 024 - CLEAR POLYCARBONATE, BLUE STEM
 024R - RED POLYCARBONATE, BLUE STEM
 024B - BLUE POLYCARBONATE, BLUE STEM
 024G - GREEN POLYCARBONATE, BLUE STEM
 524 - CLEAR POLYCARBONATE, CLEAR STEM
- CRITICAL DIMENSIONS ARE CIRCLED AND SUBJECT TO INSPECTION.
- DIMENSIONS IN PARENTHESES, ARE REFERENCE ONLY.
- ALL DIMENSIONS ARE IN INCHES WITH NOMINAL DIMENSIONS IN MILLIMETERS BELOW.
- REFERENCE USAGE: WILL FIT 4MM (0.157" ID TUBING).
- SWABABLE FEMALE LUER COMPATIBLE WITH ISO 594-2, AND ISO80369-7.

VALVE SPECIFICATION:

BACK PRESSURE: > 30 PSI, REF. (40 PSI NOMINAL)
 BIOCOMPATABILITY: PASSES ISO 10993, PART 1.
 MATERIALS: ALL MATERIALS ARE GAMMA RESISTANT, MEET USP CLASS VI; ARE DEHP FREE, AND NOT MADE WITH NATURAL RUBBER LATEX.
 POTENTIAL STERILIZATION: ETO; AND GAMMA, BASED ON RAW MATERIAL SPECIFICATIONS.

QUALITY CRITERIA:

O.D. FLASH: 0.015 MAX. (0.4mm)
GATE VESTIGE: 0.01 MAX. (0.3mm)
EMBEDDED PARTICLES, BUBBLES, SPOTS, STAINS: 0.3mm ² MAX. NO MORE THAN 3 PER PART.

MOLDED PARTS:
GATES, PARTING LINES, AND FLASH PER QUALITY CRITERIA

PROPRIETARY AND CONFIDENTIAL
THE INFORMATION CONTAINED IN THIS DRAWING IS SOLE PROPERTY OF HALKEY-ROBERTS CORPORATION ST. PETERSBURG, FL. ANY REPRODUCTION IN PART OR AS A WHOLE WITHOUT THE WRITTEN PERMISSION OF HALKEY-ROBERTS CORPORATION IS PROHIBITED.

DRAWN BY	DMC	DATE	01/26/2018
APPROVED BY		DATE	
MATERIAL			
FINISH			
UNLESS OTHERWISE SPECIFIED:		THIRD ANGLE PROJECTION	
DIMENSIONS ARE IN INCHES			
TOLERANCES:			
ANGULAR: ± 1°			
TWO PLACE DECIMAL ± .01		SIZE	B
THREE PLACE DECIMAL ± .005		SCALE	4:1

HR® Halkey-Roberts®	
TITLE Bondable Tube End Port W/ Colored Cap	
DRAWING NO.	C245501XXXX
SCALE	DO NOT SCALE DRAWING
SHEET	1 OF 2

DRAWING NO.
C245501XXXX

REV
B

Customer Drawing

REVISION HISTORY


REV	DESCRIPTION (ECO)	DATE	APPROVED
A	NEW DRAWING REPLACES C245501024X ECO 7833	01/26/18	AK
B	ADD ISO80369-7 TO NOTES, ECO 8017	04/30/18	AK

BILL OF MATERIAL:

SUFFIX	LUER BODY	CONNECTOR	STEM
024	CLEAR POLYCARBONATE MAKROLON Rx 1805 451118	CLEAR POLYCARBONATE MAKROLON Rx 1805 451118	BLUE SILICONE 40 DUROMETER WACKER LR3003/40 DT COLOR, K57238
024R	CLEAR POLYCARBONATE MAKROLON Rx 1805 451118 W/ RED COLORANT	CLEAR POLYCARBONATE MAKROLON Rx 1805 451118	BLUE SILICONE 40 DUROMETER WACKER LR3003/40 DT COLOR, K57238
024B	CLEAR POLYCARBONATE MAKROLON Rx 1805 451118 W/ BLUE COLORANT	CLEAR POLYCARBONATE MAKROLON Rx 1805 451118	BLUE SILICONE 40 DUROMETER WACKER LR3003/40 DT COLOR, K57238
024G	CLEAR POLYCARBONATE MAKROLON Rx 1805 451118 W/ GREEN COLORANT	CLEAR POLYCARBONATE MAKROLON Rx 1805 451118	BLUE SILICONE 40 DUROMETER WACKER LR3003/40 DT COLOR, K57238
524	CLEAR POLYCARBONATE MAKROLON Rx 1805 451118	CLEAR POLYCARBONATE MAKROLON Rx 1805 451118	CLEAR SILICONE 40 DUROMETER WACKER LR3003/40

MOLDED PARTS:
GATES, PARTING LINES, AND FLASH PER QUALITY CRITERIA

PROPRIETARY AND CONFIDENTIAL
THE INFORMATION CONTAINED IN THIS DRAWING IS SOLE PROPERTY OF HALKEY-ROBERTS CORPORATION, ST. PETERSBURG, FL. ANY REPRODUCTION IN PART OR AS A WHOLE WITHOUT THE WRITTEN PERMISSION OF HALKEY-ROBERTS CORPORATION IS PROHIBITED.

DRAWN BY	DMC	DATE	01/26/2018
APPROVED BY		DATE	
MATERIAL			
FINISH			
UNLESS OTHERWISE SPECIFIED:		THIRD ANGLE PROJECTION	
DIMENSIONS ARE IN INCHES			
TOLERANCES:			
ANGULAR: ± 1°			
TWO PLACE DECIMAL ± .01		SIZE B	
THREE PLACE DECIMAL ± .005		SCALE 4:1	

HR® Halkey-Roberts®	
TITLE Bondable Tube End Port W/ Colored Cap	
SIZE B	REV B
DRAWING NO. C245501XXXX	
SHEET 2 OF 2	
SCALE DO NOT SCALE DRAWING	