

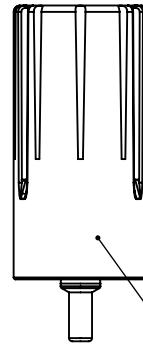
DRAWING NO.  
CV95000XXBF

REV  
B

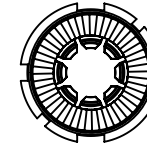
# Customer Drawing

## REVISION HISTORY

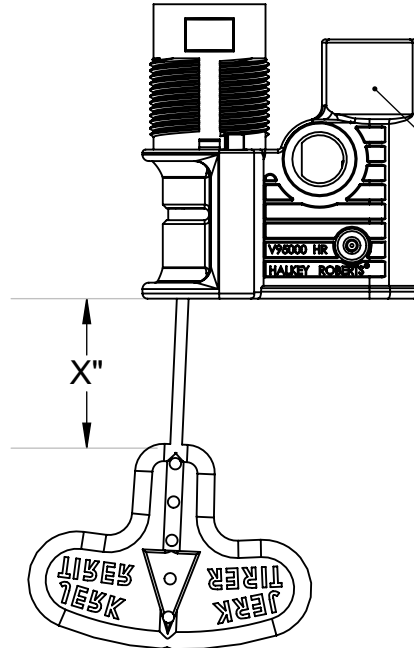
| REV | DESCRIPTION (ECO)             | DATE     | APPROVED |
|-----|-------------------------------|----------|----------|
| A   | UL Document Released ECO 6811 | 1/22/16  | AK       |
| B   | Updated body view ECO# 7073   | 10/12/16 | AK       |



CAP ASSEMBLY



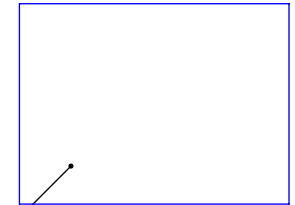
V80040  
BOBBIN



INFLATOR  
ASSEMBLY



V95000LABSLF



V950001FINSTR

**NOTES:**

- 1ST SUFFIX INDICATES THREAD SIZE:
  - None - 1/2"-20 THREAD
  - S - 3/8"-24 THREAD
- 2ND SUFFIX INDICATES LANYARD LENGTH:
  - 40 - 4" LANYARD
  - 60 - 6" LANYARD
  - 100 - 10" LANYARD

**MOLDED PARTS:**  
GATES, PARTING LINES, AND FLASH PER QUALITY CRITERIA

**PROPRIETARY AND CONFIDENTIAL**  
THE INFORMATION CONTAINED IN THIS DRAWING IS SOLE PROPERTY OF HALKEY-ROBERTS CORPORATION ST. PETERSBURG, FL. ANY REPRODUCTION IN PART OR AS A WHOLE WITHOUT THE WRITTEN PERMISSION OF HALKEY-ROBERTS CORPORATION IS PROHIBITED.

|   |                                   |
|---|-----------------------------------|
| <b>DRAWN BY</b> SJR   | <b>DATE</b> 1/22/2016             |
| <b>APPROVED BY</b>  | <b>DATE</b>                       |
| <b>MATERIAL</b>   |                                   |
| <b>FINISH</b>   |                                   |
| <b>UNLESS OTHERWISE SPECIFIED:</b><br>DIMENSIONS ARE IN INCHES<br>TOLERANCES:<br>ANGULAR: ± 1°<br>TWO PLACE DECIMAL ± .01<br>THREE PLACE DECIMAL ± .005 | <b>THIRD ANGLE PROJECTION</b><br> |



**Halkey-Roberts**

|              |                                      |              |
|--------------|--------------------------------------|--------------|
| <b>TITLE</b> | Automatic/Manual 1F Inflator, French |              |
| <b>SIZE</b>  | <b>DRAWING NO.</b>                   | <b>REV</b>   |
| A            | CV95000XXBF                          | B            |
| <b>SCALE</b> | <b>DO NOT SCALE DRAWING</b>          | <b>SHEET</b> |
| 1:4          |                                      | 1 OF 1       |