

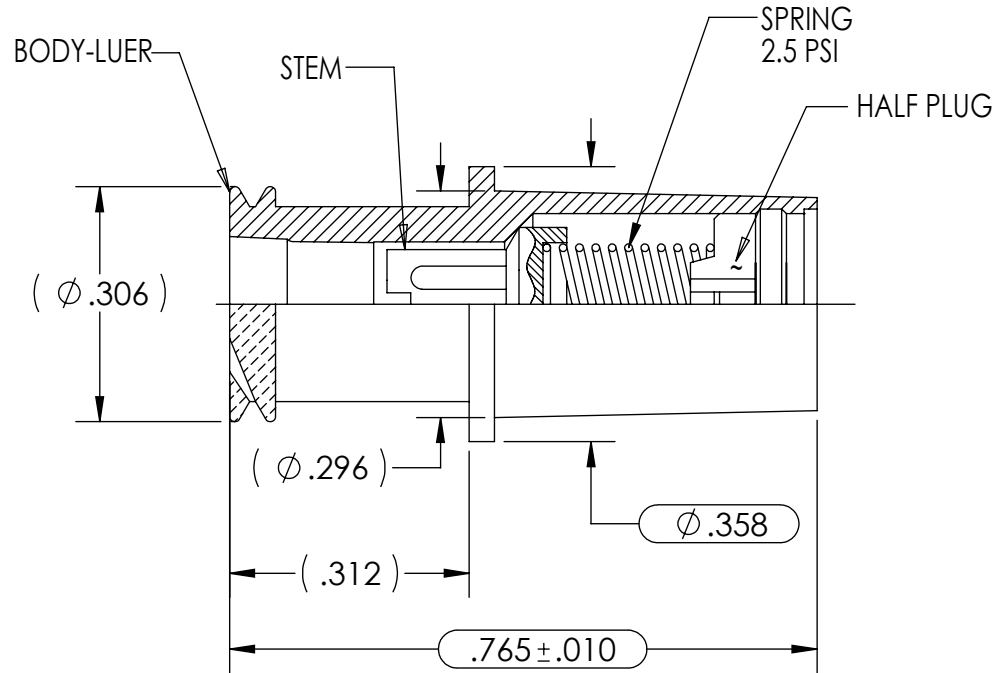
DRAWING NO.
C247280022

REV
B

Customer Drawing

REVISION HISTORY

REV	DESCRIPTION (ECO)	DATE	APPROVED
A	ADD CRITICAL DIMENSIONS ECN 3823	9/9/2008	AK
B	STANDARDIZE BOM LAYOUT ECO 6890	3/30/16	AK



NOTES:

1. CRITICAL DIMENSIONS ARE CIRCLED. DIMENSIONS IN PARENTHESES ARE REFERENCE ONLY.
2. LUER COMPATIBLE WITH ISO 594-2.

DRAWN BY M.S.		DATE 08-26-99				
APPROVED BY		DATE				
MATERIAL		FINISH				
MOLDED PARTS: GATES, PARTING LINES, AND FLASH PER QUALITY CRITERIA PROPRIETARY AND CONFIDENTIAL THE INFORMATION CONTAINED IN THIS DRAWING IS SOLE PROPERTY OF HALKEY-ROBERTS CORPORATION ST. PETERSBURG, FL. ANY REPRODUCTION IN PART OR AS A WHOLE WITHOUT THE WRITTEN PERMISSION OF HALKEY-ROBERTS CORPORATION IS PROHIBITED.				THIRD ANGLE PROJECTION 		
UNLESS OTHERWISE SPECIFIED: DIMENSIONS ARE IN INCHES TOLERANCES: ANGULAR: ± 1° TWO PLACE DECIMAL ± .01 THREE PLACE DECIMAL ± .005		TITLE CHECK VALVE		SIZE A	DRAWING NO. C247280022	REV B
SCALE 1:1		DO NOT SCALE DRAWING		SHEET 1 OF 2		