

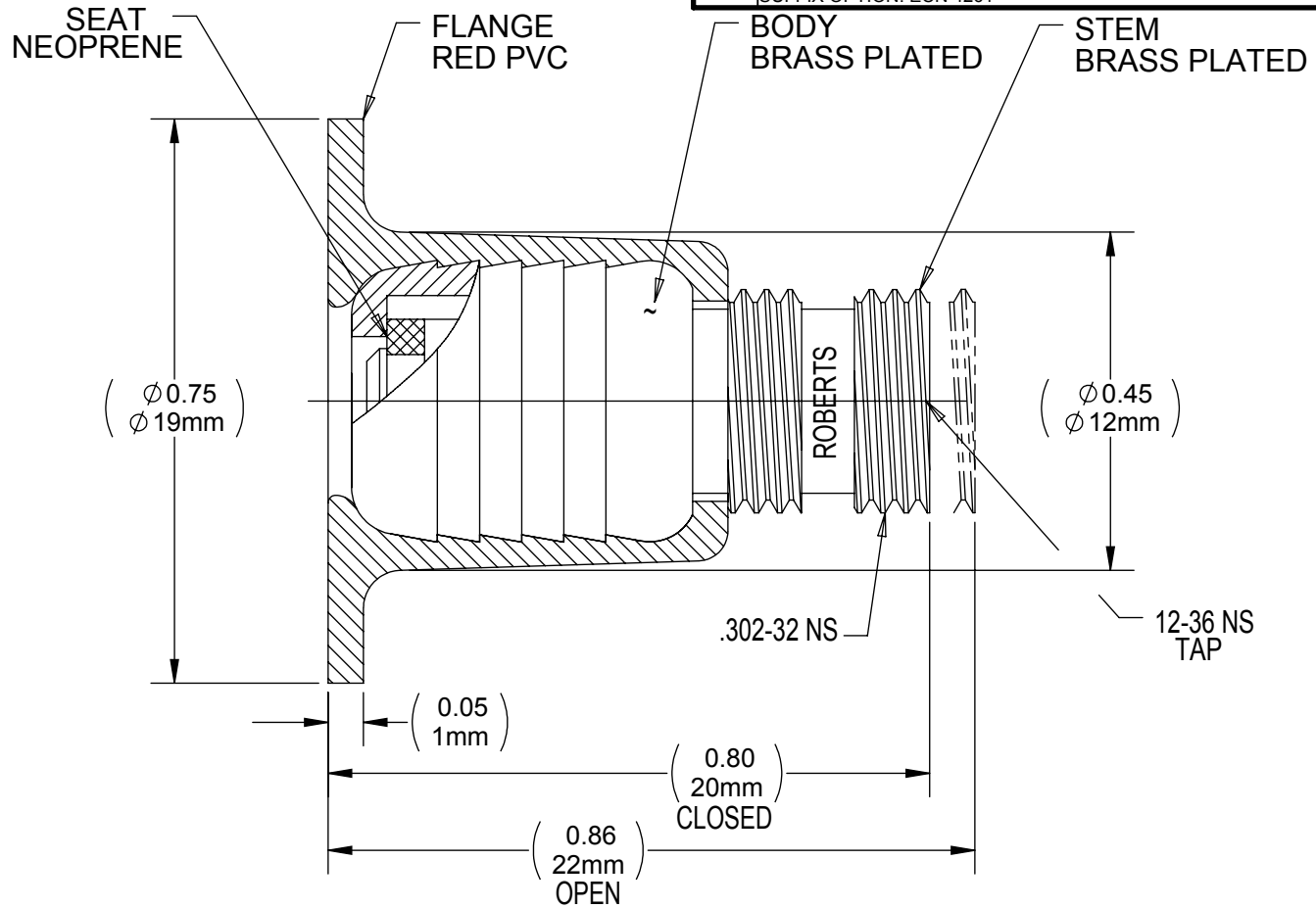
DRAWING NO.
C40ASE

REV
B

Customer Drawing

REVISION HISTORY

| REV | DESCRIPTION (ECO) | DATE | APPROVED |
|-----|---|----------|----------|
| 1 | DRWG C40ASEX REPLACES C40ASE C40ASEU | 02-13-98 | JW |
| B | UPDATE NOTES, ADD CRITICAL DIMENSIONS, REMOVE SUFFIX OPTION. ECN 4261 | 11/30/09 | AK |



NOTES:

1. CRITICAL DIMENSIONS ARE CIRCLED, AND SUBJECT TO INSPECTION.
2. DIMENSIONS IN PARENTHESES ARE FOR REFERENCE ONLY.
3. ALL DIMENSIONS ARE IN INCHES WITH NOMINAL, DIMENSIONS IN METRIC BELOW.

QUALITY CRITERIA:

O.D. FLASH: 0.015 MAX. (0.4MM)

GATE VESTIGE: 0.01 MAX. (0.3MM)

EMBEDDED PARTICLES, BUBBLES, SPOTS, STAINS: 0.3mm² MAX. NO MORE THAN 3 PER PART.

| | | | |
|-------------|---------------------|------|----------|
| DRAWN BY | M.S. | DATE | 02-13-98 |
| APPROVED BY | JW | DATE | |
| MATERIAL | BRASS NICKLE PLATED | | |



Halkey-Roberts

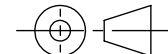
TITLE **INSERTION VALVE INFLANGE**

MOLDED PARTS:
GATES, PARTING LINES, AND FLASH PER QUALITY CRITERIA

PROPRIETARY AND CONFIDENTIAL
THE INFORMATION CONTAINED IN THIS DRAWING IS SOLE PROPERTY OF HALKEY-ROBERTS CORPORATION ST. PETERSBURG, FL. ANY REPRODUCTION IN PART OR AS A WHOLE WITHOUT THE WRITTEN PERMISSION OF HALKEY-ROBERTS CORPORATION IS PROHIBITED.

UNLESS OTHERWISE SPECIFIED:
DIMENSIONS ARE IN INCHES
TOLERANCES:
ANGULAR: $\pm 1^\circ$
TWO PLACE DECIMAL $\pm .01$
THREE PLACE DECIMAL $\pm .005$

THIRD ANGLE PROJECTION



| | | | |
|------------|-----------------------------|--|---------------|
| SIZE | DRAWING NO. | | REV |
| A | C40ASE | | B |
| SCALE | DO NOT SCALE DRAWING | | SHEET |
| 4:1 | | | 1 OF 1 |